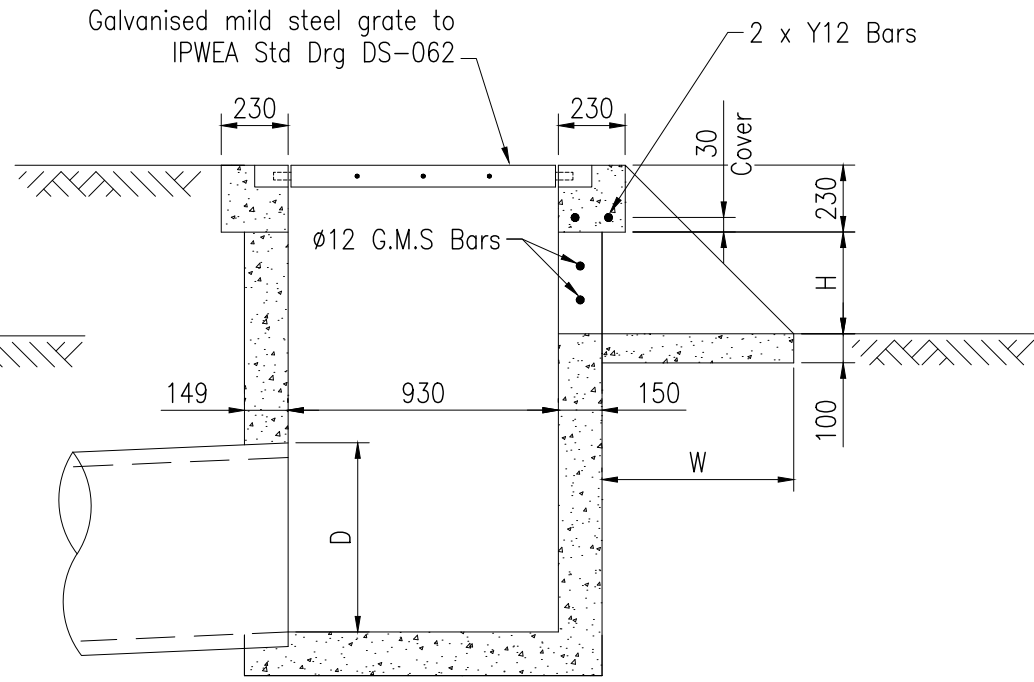
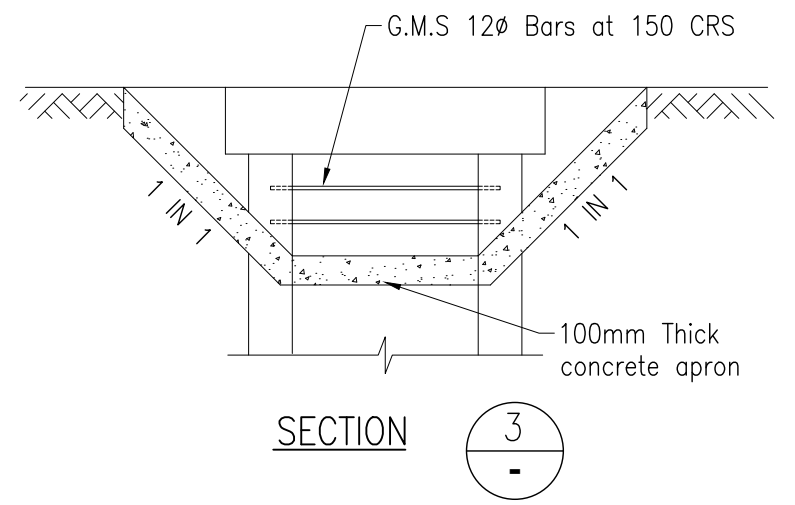


SECTION 1

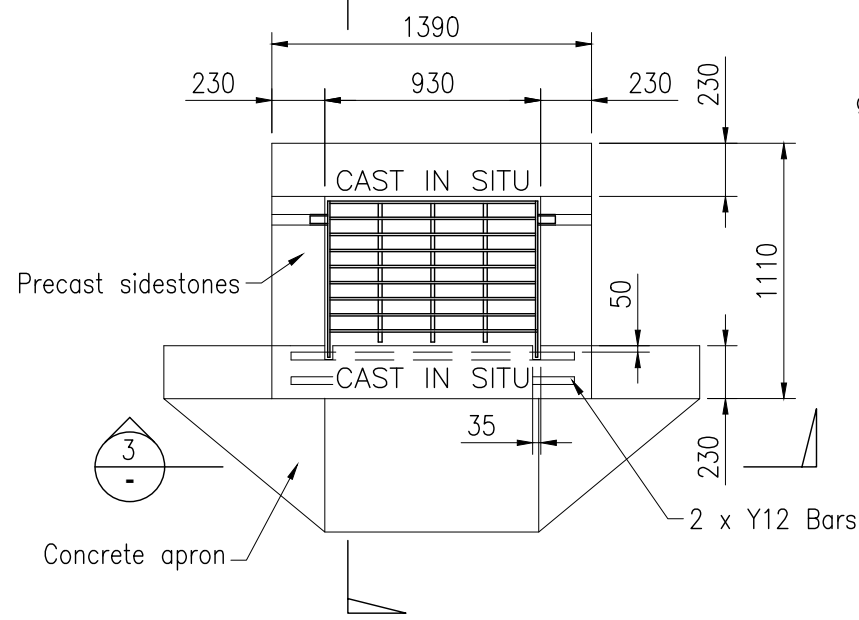


SECTION 2

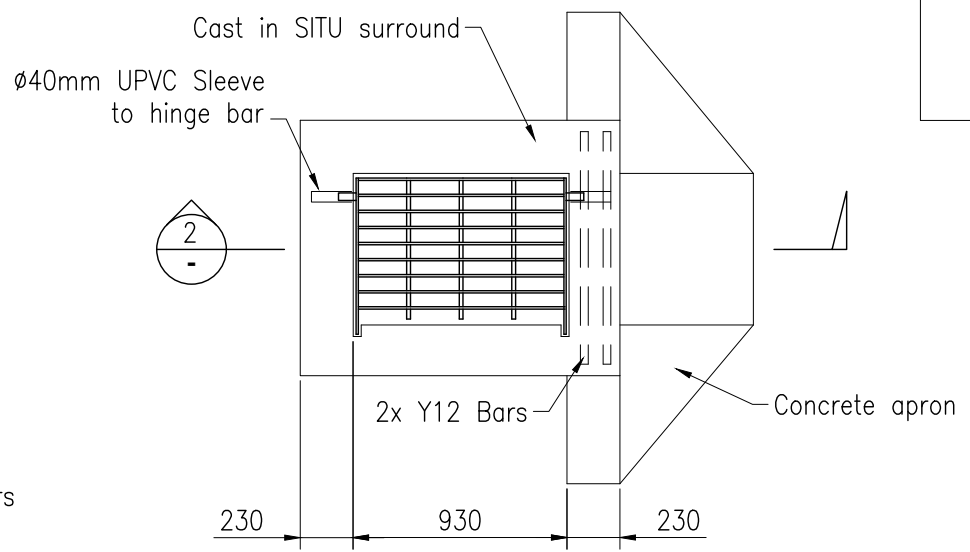


SECTION 3

PIPE DIA 'D'	INLET TO 930mm SIDE		INLET TO 650mm SIDE	
	'H'	'W'	'H'	'W'
300	125	435	150	460
375	125	435	200	510
450	200	510	300	610
525	275	585	400	710
600	350	660	525	835
675	450	760	650	960



TOP VIEW INLET TO 930mm SIDE



TOP VIEW INLET TO 650mm SIDE

NOTES:


- Concrete shall be class N25.
- Where side entry inlet is into 650mm side, precast sidestones are not to be used.
- Dual inlets may be constructed into opposite sides of pit.

REVISIONS	INIT	DATE
E		
D		
C		
B	Review	R.H. 02/16
A	Standard Drawing Number Changed	R.H. 10/14

SCALES

Drawn		Date	
Team Leader		Date	
Coordinator		Date	
AUTHORISED			
Manager Engineering RPEQ			

SIDE ENTRY FIELD INLET

  
**Moreton Bay**  
 Regional Council

DRG No. MBRC-2003

ORIGINAL SIZE A3 REVISION B