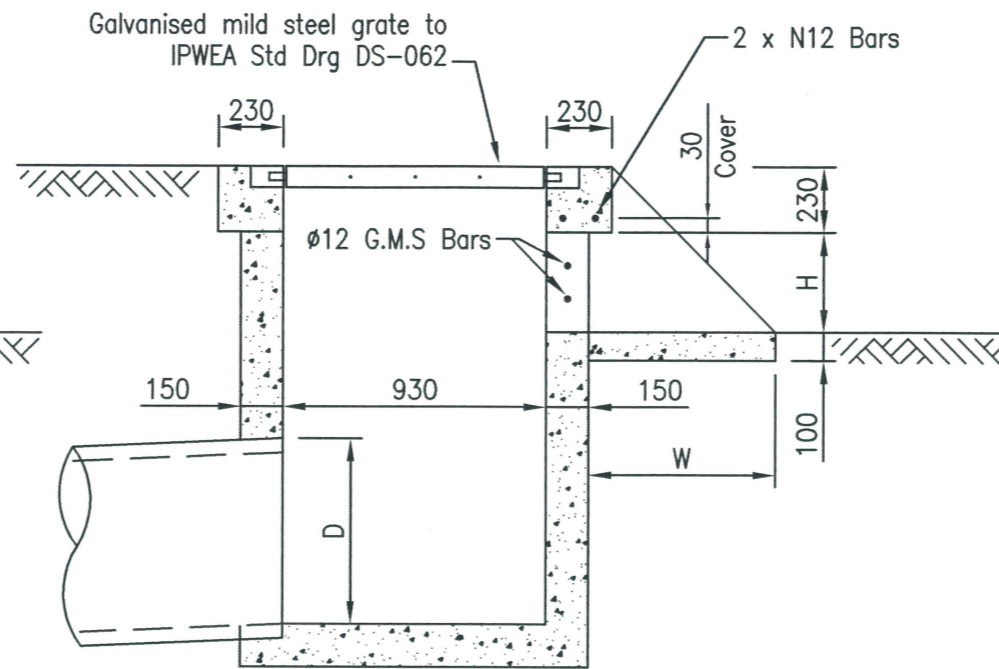
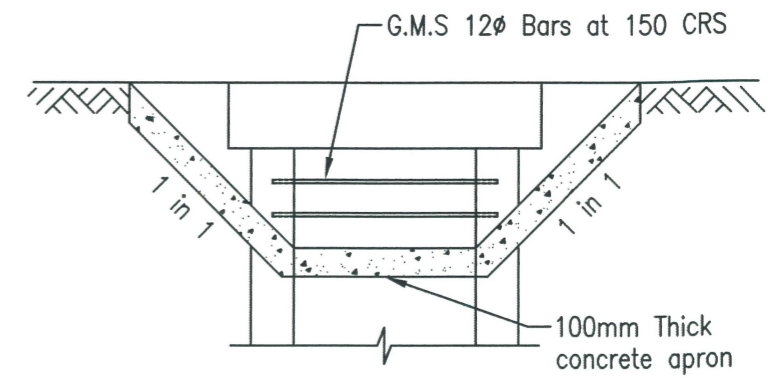


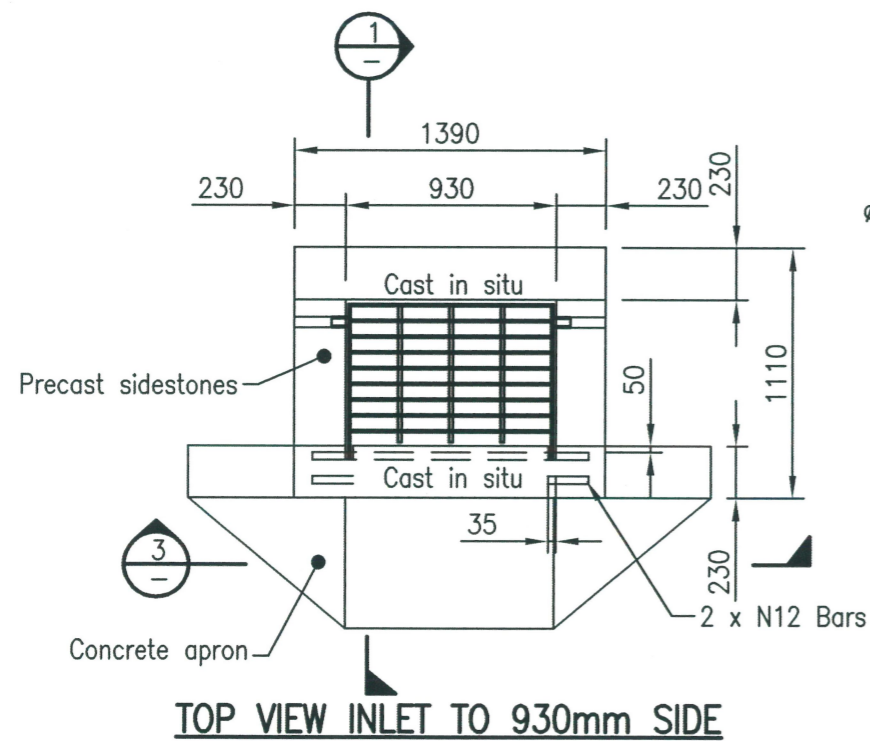
SECTION 1



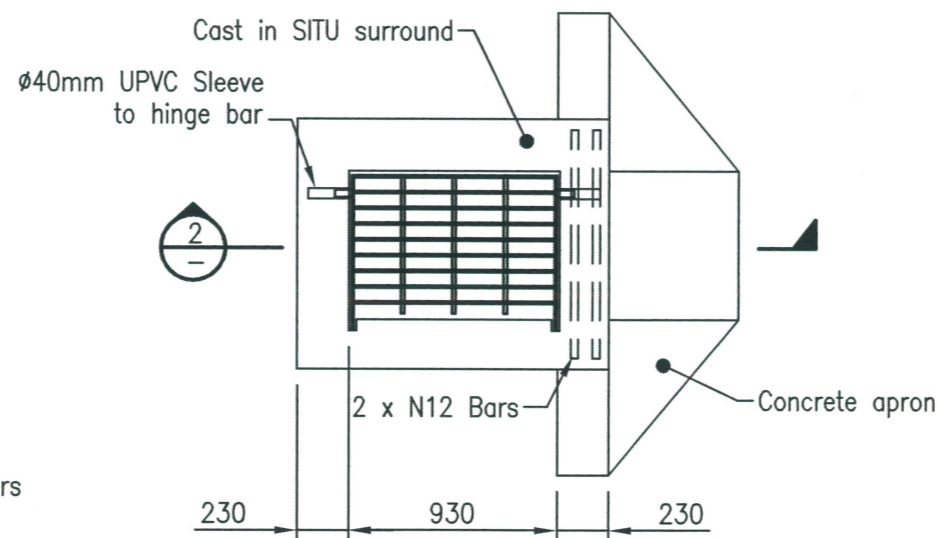
SECTION 2



SECTION 3



TOP VIEW INLET TO 930mm SIDE



TOP VIEW INLET TO 650mm SIDE

DIMENSION SCHEDULE

PIPE DIAMETER 'D'	INLET TO 930MM SIDE		INLET TO 650MM SIDE	
	'H'	'W'	'H'	'W'
300	125	435	150	460
375	125	435	200	510
450	200	510	300	610
525	275	585	400	710
600	350	660	525	835
675	450	760	650	960

NOTES:

1. Concrete shall be class N32.
2. Where side entry inlet is into 650mm side, precast sidestones are not to be used.
3. Dual inlets may be constructed into opposite sides of pit.

REVISIONS		INIT	DATE	SCALES		Drawn	RH	Date	07/16
E						Coordinator	PP	Date	07/16
D						AUTHORISED 07/07/16 Manager Integrated Transport Planning & Design RPEQ 6872			
C									
B									
A									
ORIGINAL ISSUE		RH	07/16						

SIDE ENTRY FIELD INLET



DRG No. **SW-5010**

ORIGINAL SIZE **A3** REVISION