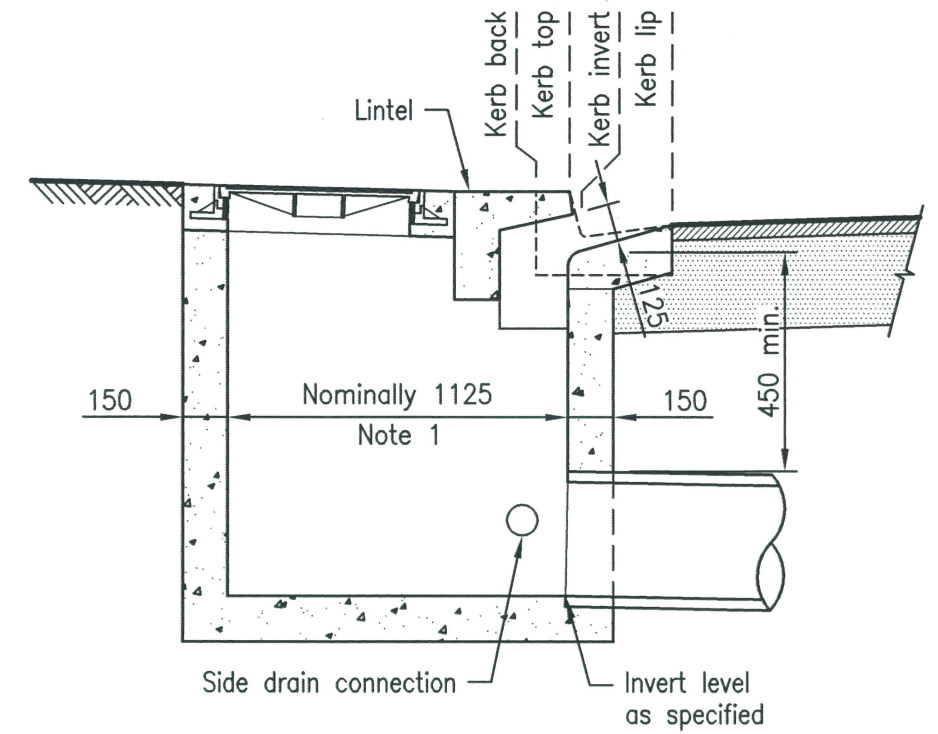
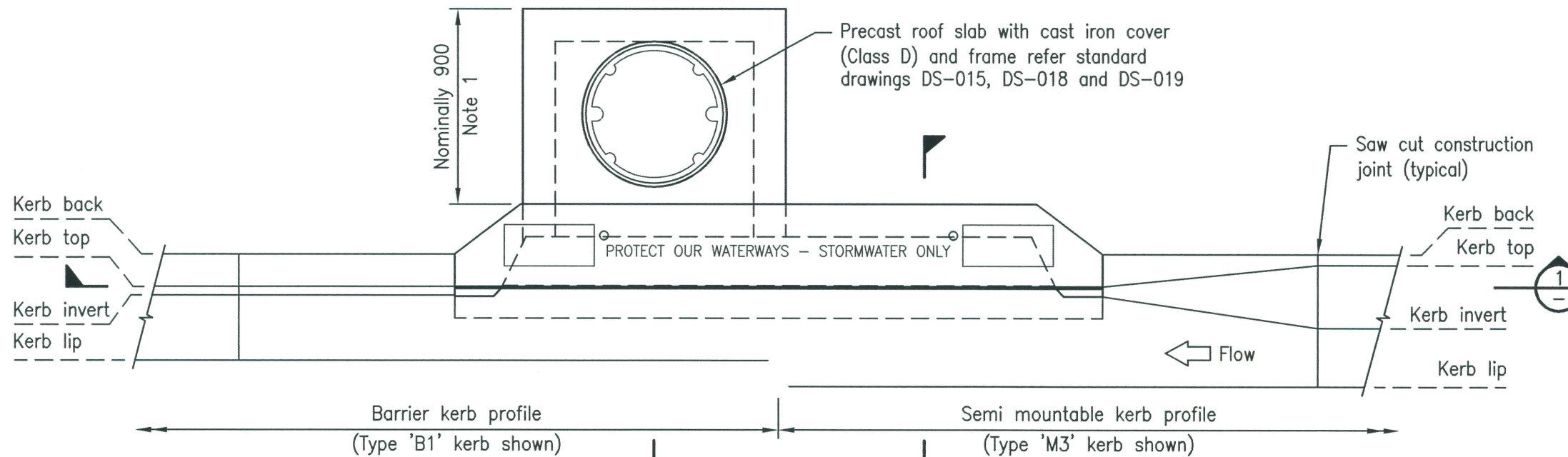


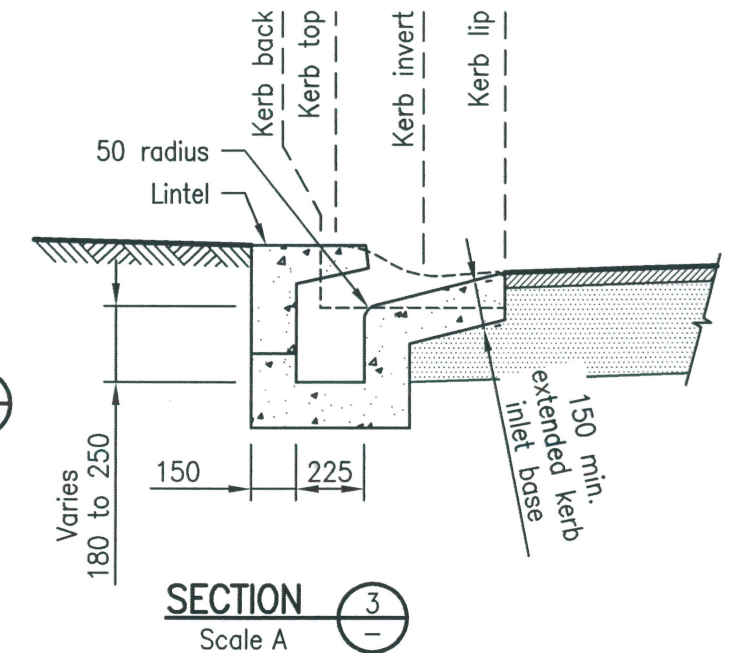
SECTION 1
Scale A



SECTION 2
Scale A



PLAN
Scale A



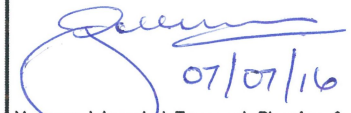
SECTION 3
Scale A

NOTES:

1. Dimensions to suit precast components and may vary to suit manufacturers specifications.
2. Insitu concrete N32 in accordance with AS1379 and AS3600.
3. An alternative precast concrete kerb inlet, apron or pit surround may be provided subject to Councils approval. Precast concrete shall be N32 in accordance with AS1379 and AS3600.
4. Pit height may require alteration where new lintels are to be installed over existing pits. Ensure top of lintel is level with top of kerb.
5. All dimensions in millimetres unless shown otherwise.

REVISIONS	INIT	DATE
E		
D		
C		
B		
A		
ORIGINAL ISSUE		

SCALES
A 0mm 100 200 300 400 500 1:25

Drawn	BW	Date	07/16
Coordinator	PP	Date	07/16
AUTHORISED			
 07/07/16 Manager Integrated Transport Planning & Design RPEQ 6872			

**BACK ENTRY CATCHPIT
WITH PRECAST EXTENDED KERB INLET
(ON GRADE CONDITIONS)
RETROFIT SITUATIONS ONLY**



DRG No. **SW-5000**

ORIGINAL SIZE **A3** REVISION