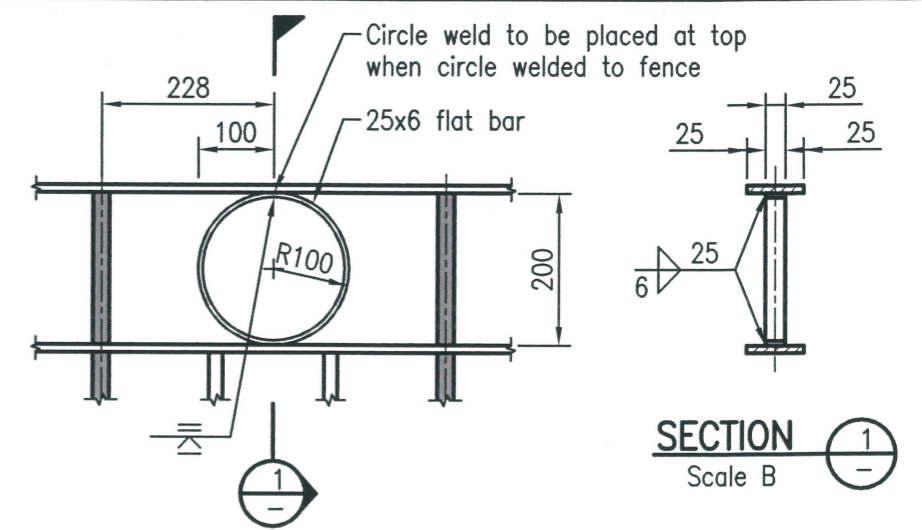


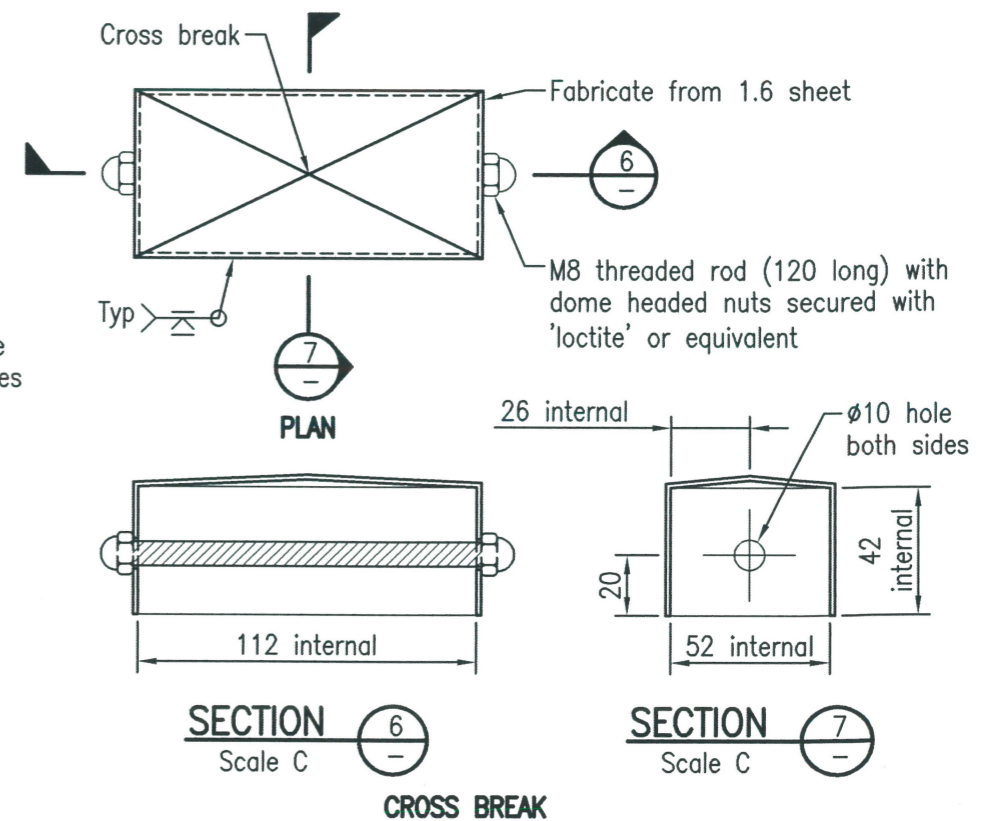
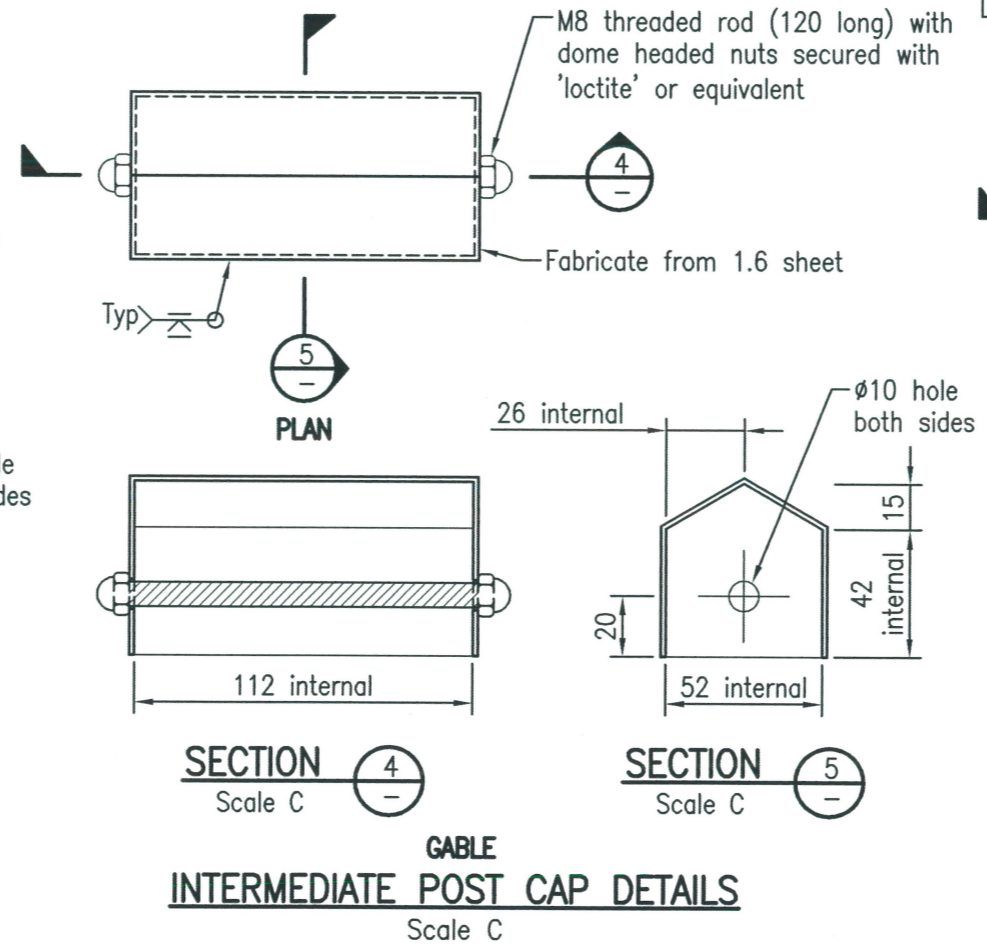
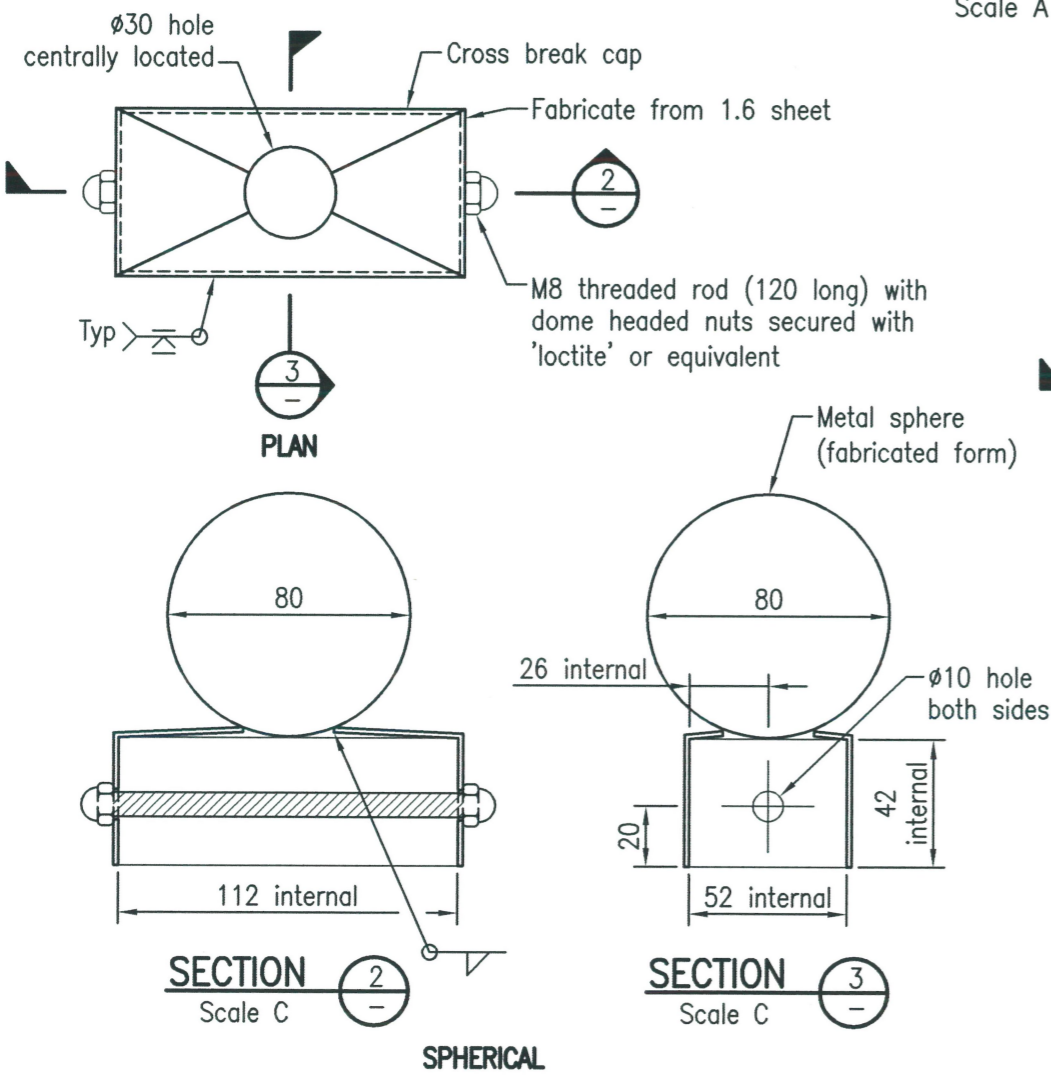
TYPE 5 PEDESTRIAN FENCE PANEL EMBELLISHMENT ELEVATIONS

Scale A



TYPICAL CIRCLE EMBELLISHMENT DETAILS

Note: 1. Refer end post standard drawing for general notes.
2. Refer project drawings for embellishment specification (if any).
3. Refer project drawings for intermediate post cap specification.



REVISIONS	INIT	DATE
E		
D		
C		
B		
A		
ORIGINAL ISSUE	BW	07/16

SCALES	Drawn	BW	Date
A 0mm 100 200 300 400 500 1:50			07/16
B 0mm 50 100 150 200 1:20	Coordinator	PP	Date 07/16
C 0mm 10 20 30 40 50 1:5	AUTHORISED 07/07/16 Manager Integrated Transport Planning & Design RPEQ 6872		

**PEDESTRIAN FENCE - TYPE 1 AND 5
INTERMEDIATE POST CAP DETAILS AND
TYPE 5 PEDESTRIAN FENCE EMBELLISHMENT DETAILS**

Moreton Bay Regional Council

DRG No. **SF-1506**

ORIGINAL SIZE **A3** REVISION