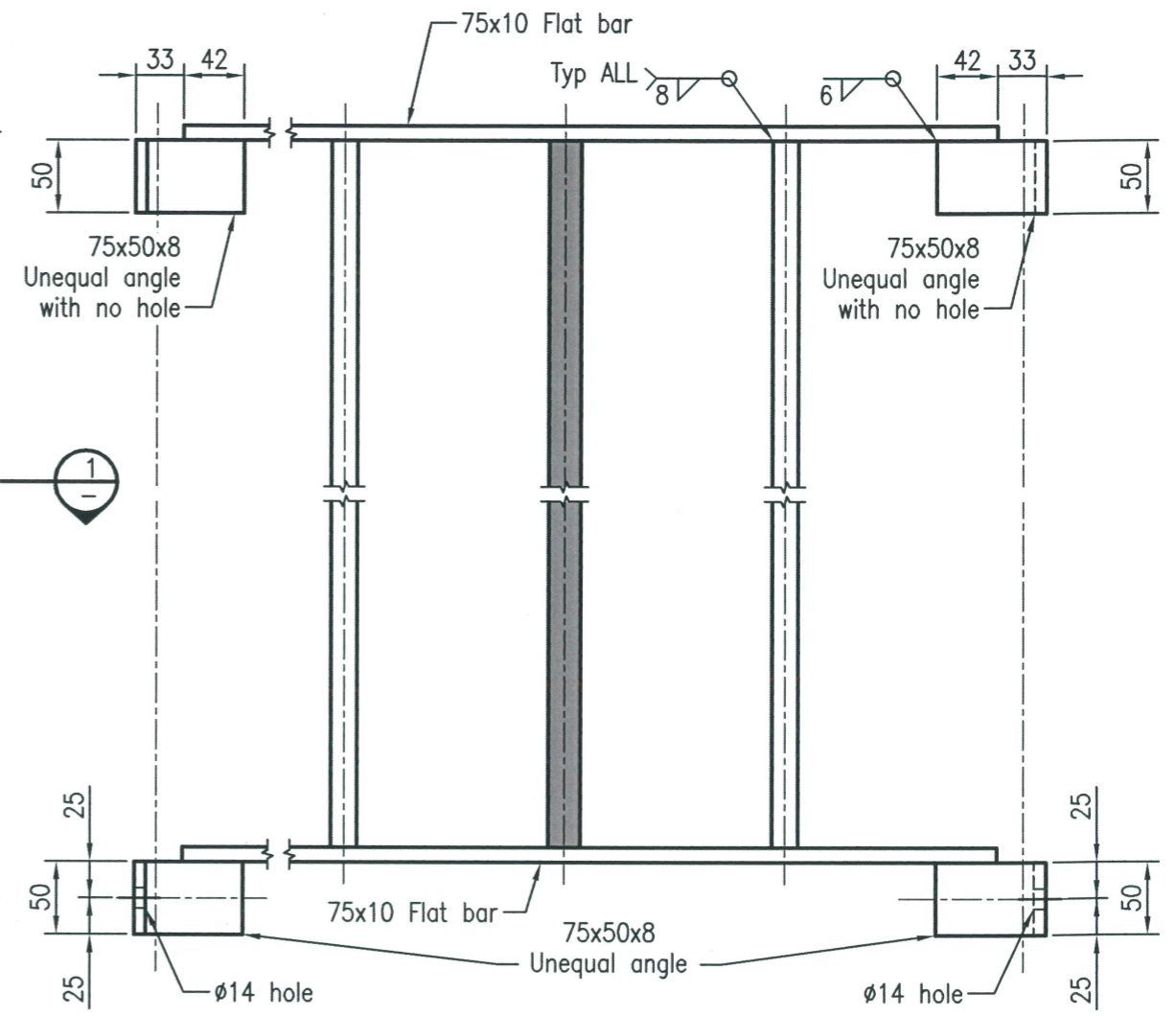
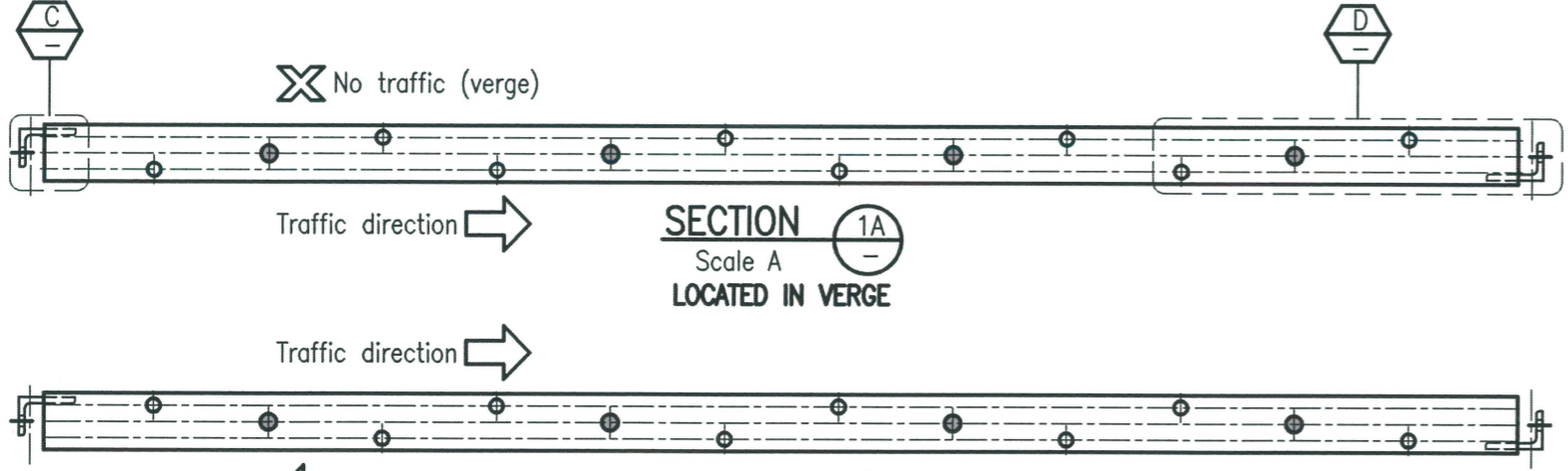


TYPE 1 PEDESTRIAN FENCE PANEL ELEVATION
Scale A



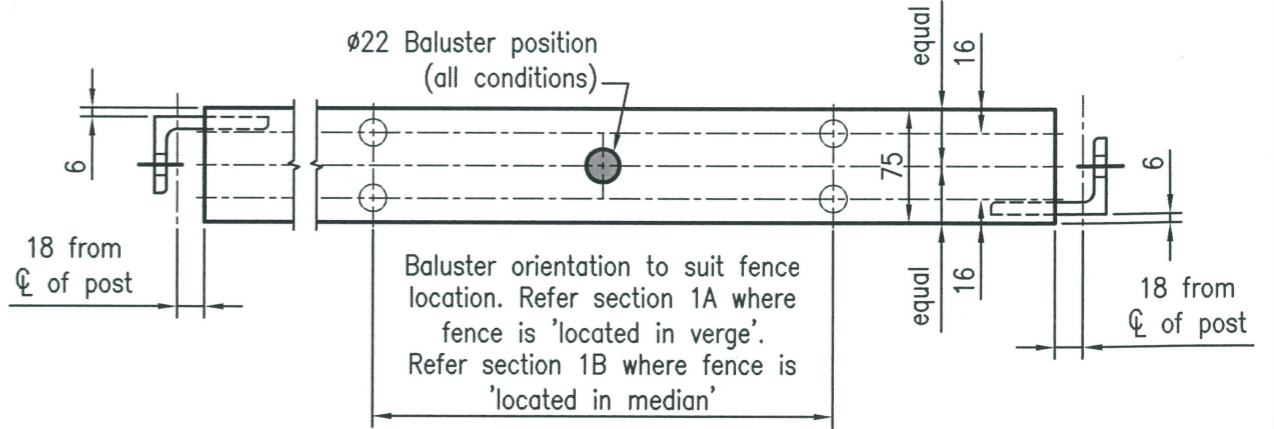
DETAIL A
Scale B

DETAIL B
Scale B



SECTION 1A
Scale A
LOCATED IN VERGE

SECTION 1B
Scale A
LOCATED IN MEDIAN



DETAIL C
Scale B

DETAIL D
Scale B

Baluster orientation to suit fence location. Refer section 1A where fence is 'located in verge'. Refer section 1B where fence is 'located in median'

Refer end post standard drawing for general notes

Note: Ø22 Baluster shown hatched grey

| REVISIONS | INIT | DATE |
|----------------------------------------------------|------|-------|
| E | | |
| D | | |
| C | | |
| B | | |
| A | | |
| <input checked="" type="checkbox"/> ORIGINAL ISSUE | BW | 07/16 |

| SCALES |
|---------------------------------|
| A 0mm 50 100 150 200 1:20 |
| B 0mm 25 50 75 100 1:10 |

Drawn: BW Date: 07/16
 Coordinator: PP Date: 07/16
 AUTHORISED

 Manager Integrated Transport Planning & Design
 RPEQ 6872

**PEDESTRIAN FENCE - TYPE 1
PANEL DETAILS**

Moreton Bay Regional Council
 DRG No. **SF-1504**
 ORIGINAL SIZE **A3** REVISION