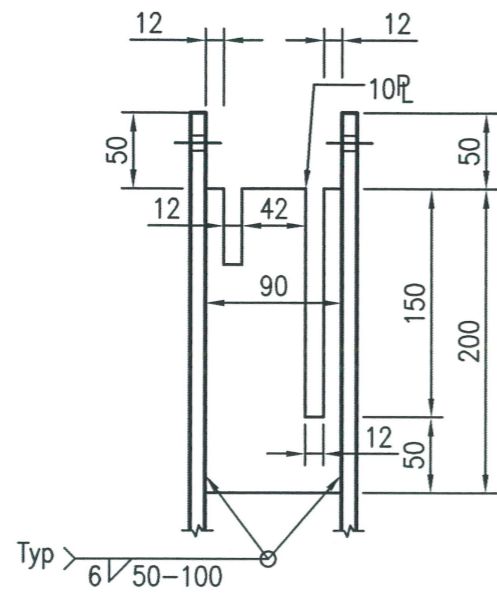
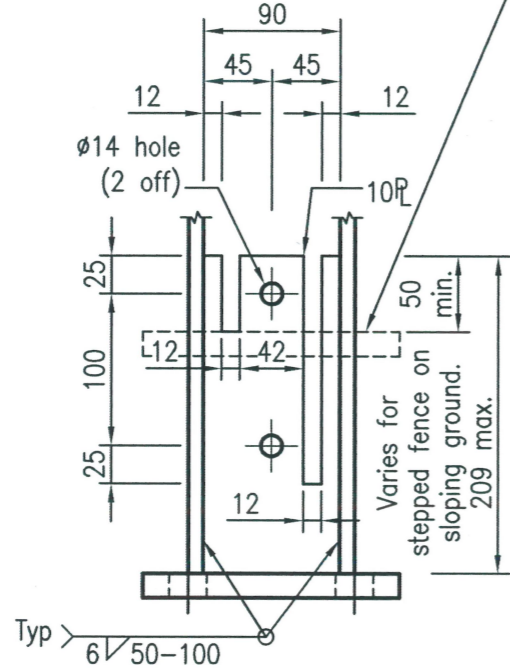


**INTERMEDIATE POST ELEVATION**  
Scale A



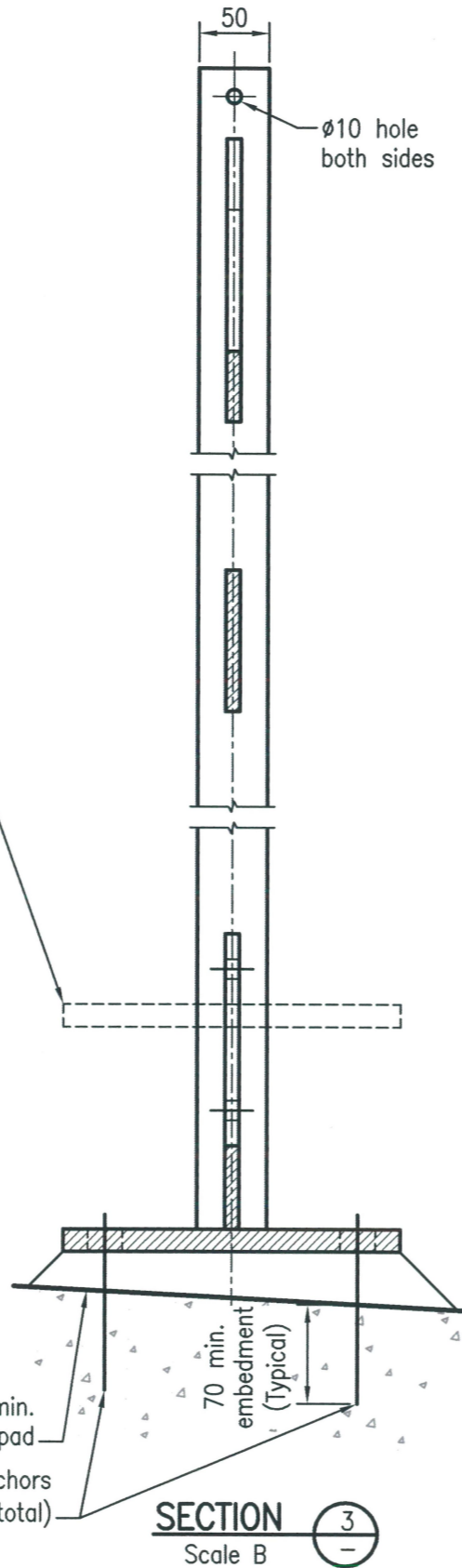
**DETAIL C**  
Scale B

Alternate base plate location (shown dashed) to suit site conditions

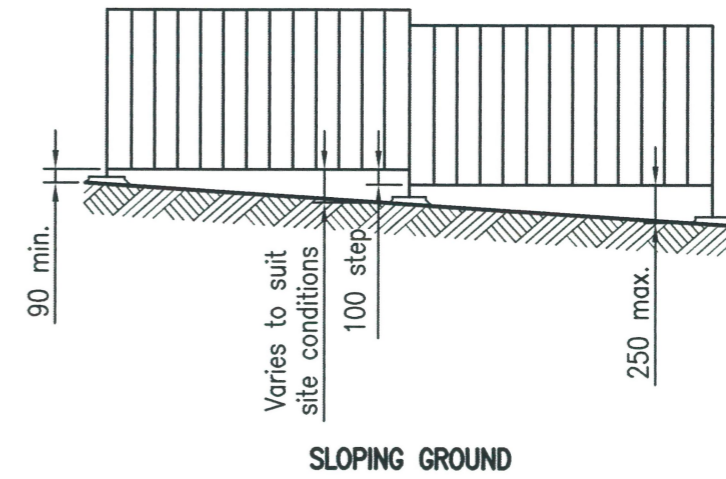


**DETAIL D**  
Scale B

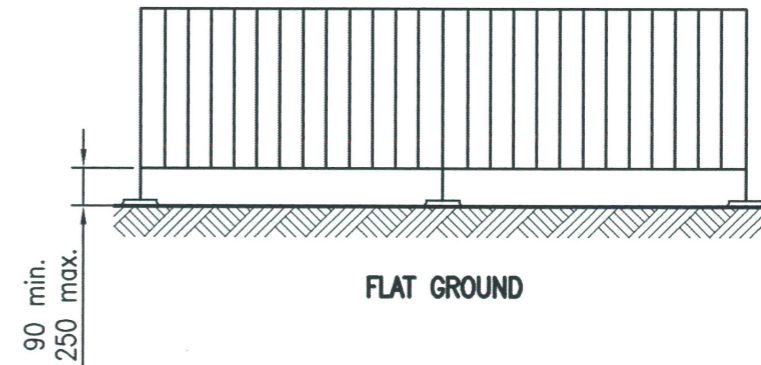
M20 Chemset or masonry anchors (2 off) each side (4 off total)



**SECTION 3**  
Scale B



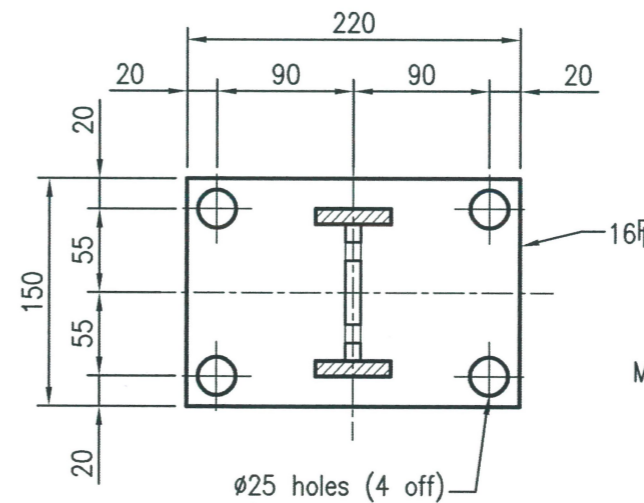
**SLOPING GROUND**



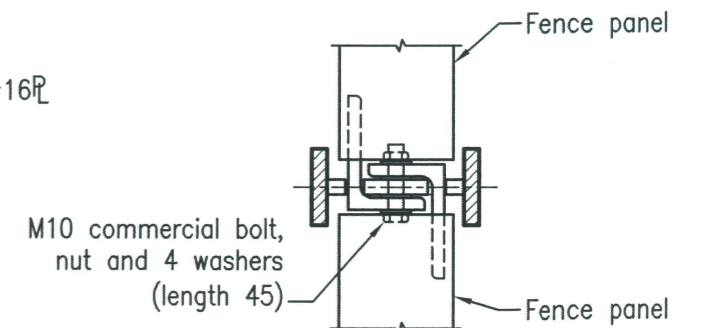
**FLAT GROUND**

**BOTTOM CLEARANCE DETAILS**

Scale C



**BASE PLATE PLAN**  
Scale B



**SECTION 4**  
Scale B

Refer standard drawing SF-1502 for general notes

REVISIONS	INIT	DATE
E		
D		
C		
B		
A		
ORIGINAL ISSUE	BW	07/16

SCALES	
A	0mm 50 100 150 200 1:20
B	0mm 25 50 75 100 1:10
C	0mm 250 500 750 1000 1:100

Drawn: BW, Date: 07/16  
 Coordinator: PP, Date: 07/16  
 AUTHORISED: [Signature] 07/07/16  
 Manager Integrated Transport Planning & Design  
 RPEQ 6872

**PEDESTRIAN FENCE - TYPE 1 AND 5 INTERMEDIATE POST DETAILS (WITH BASE PLATE)**



DRG No. **SF-1503**

ORIGINAL SIZE: **A3** REVISION