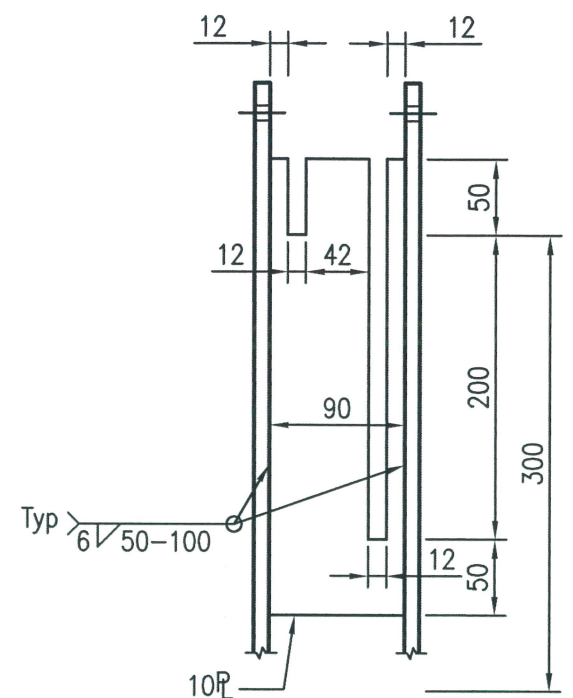
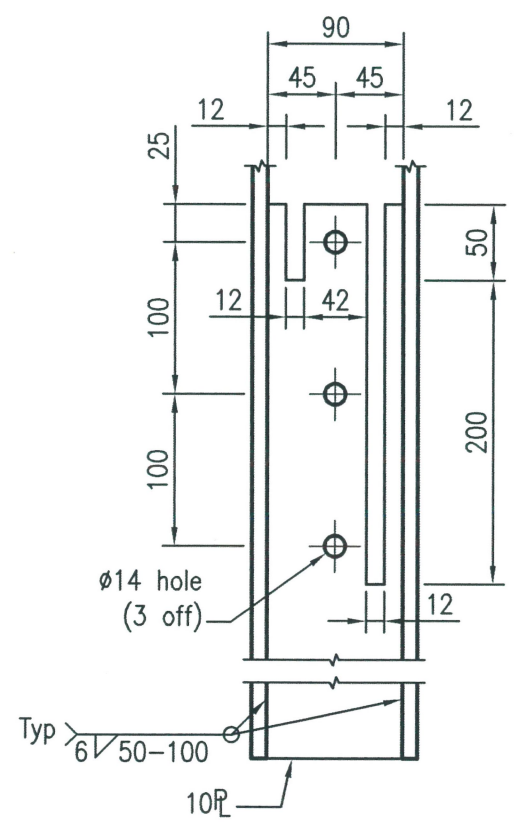


**INTERMEDIATE POST ELEVATION**  
Scale A

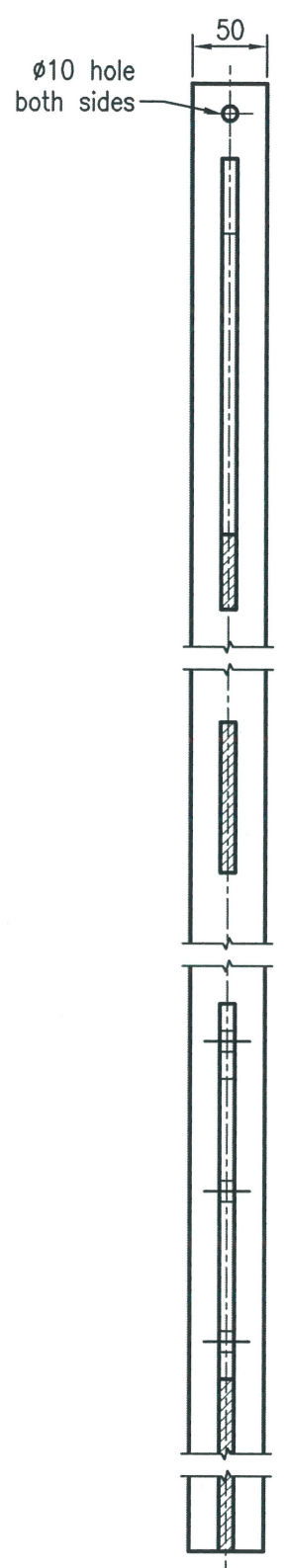
Refer standard drawing SF-1500 for general notes



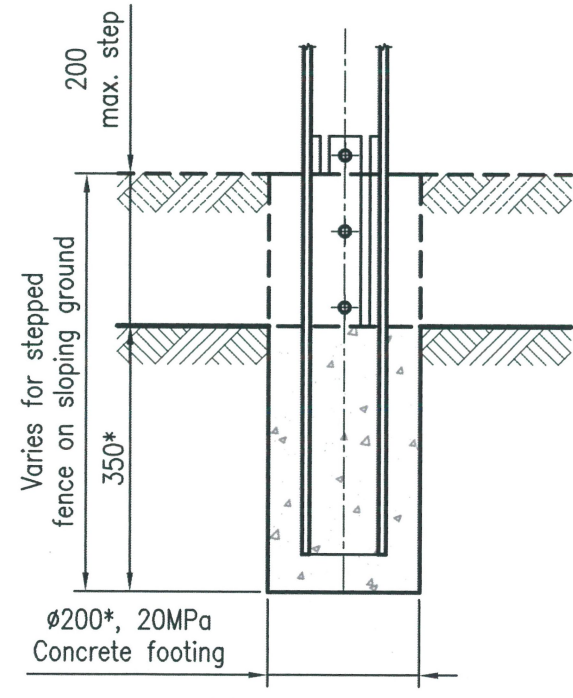
**DETAIL C**  
Scale B



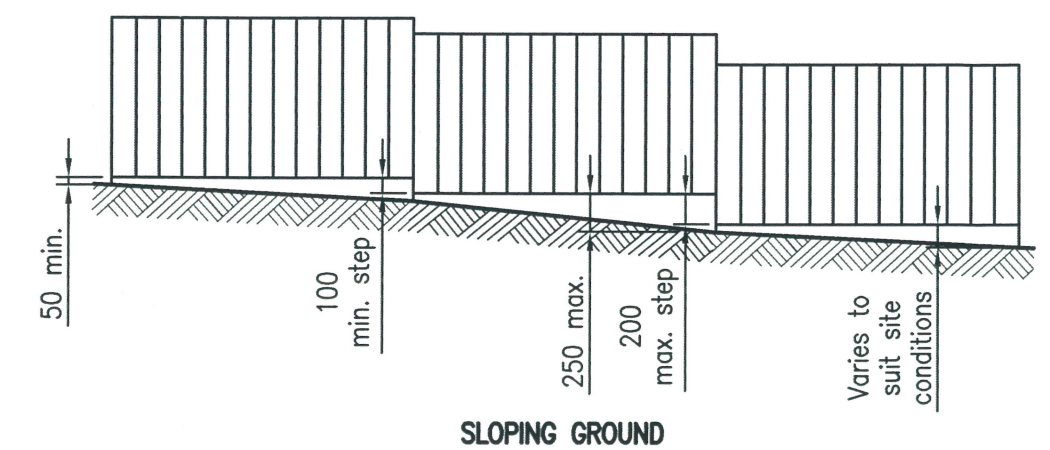
**DETAIL D**  
Scale B



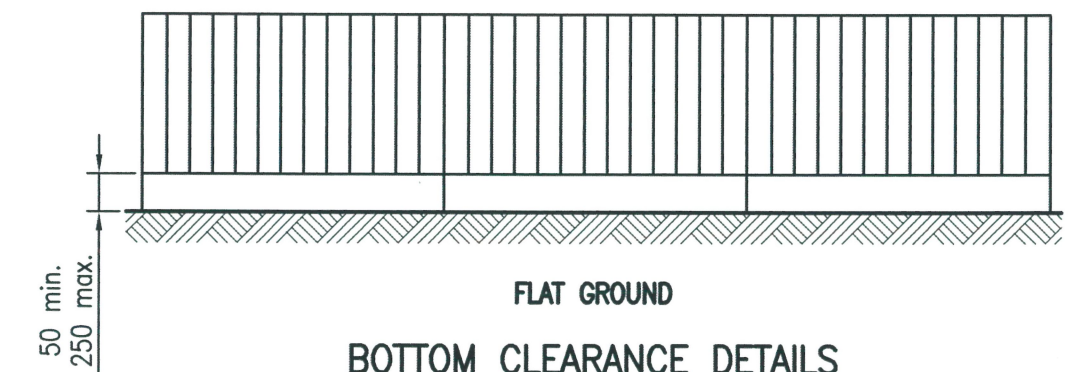
**SECTION 3**  
Scale B



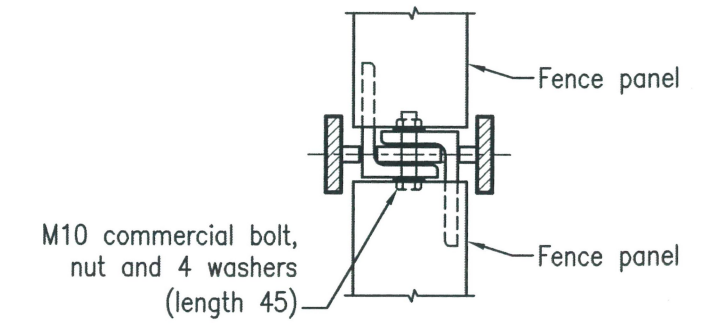
**FOOTING DETAIL**  
Scale A



**SLOPING GROUND**



**FLAT GROUND**  
**BOTTOM CLEARANCE DETAILS**  
Scale C



**SECTION 4**  
Scale B

REVISIONS	INIT	DATE
E		
D		
C		
B		
A		
<input checked="" type="checkbox"/> ORIGINAL ISSUE	B.W	07/16

SCALES	
A	0mm 50 100 150 200 1:20
B	0mm 25 50 75 100 1:10
C	0mm 250 500 750 1000 1:100

Drawn: BW Date: 07/16  
 Coordinator: PP Date: 07/16  
 AUTHORISED  
*[Signature]*  
 07/07/16  
 Manager Integrated Transport Planning & Design  
 RPEQ 6872

**PEDESTRIAN FENCE - TYPE 1 AND 5  
 INTERMEDIATE POST DETAILS  
 (CAST INTO CONCRETE FOOTING)**



DRG No. **SF-1501**

ORIGINAL SIZE **A3** REVISION