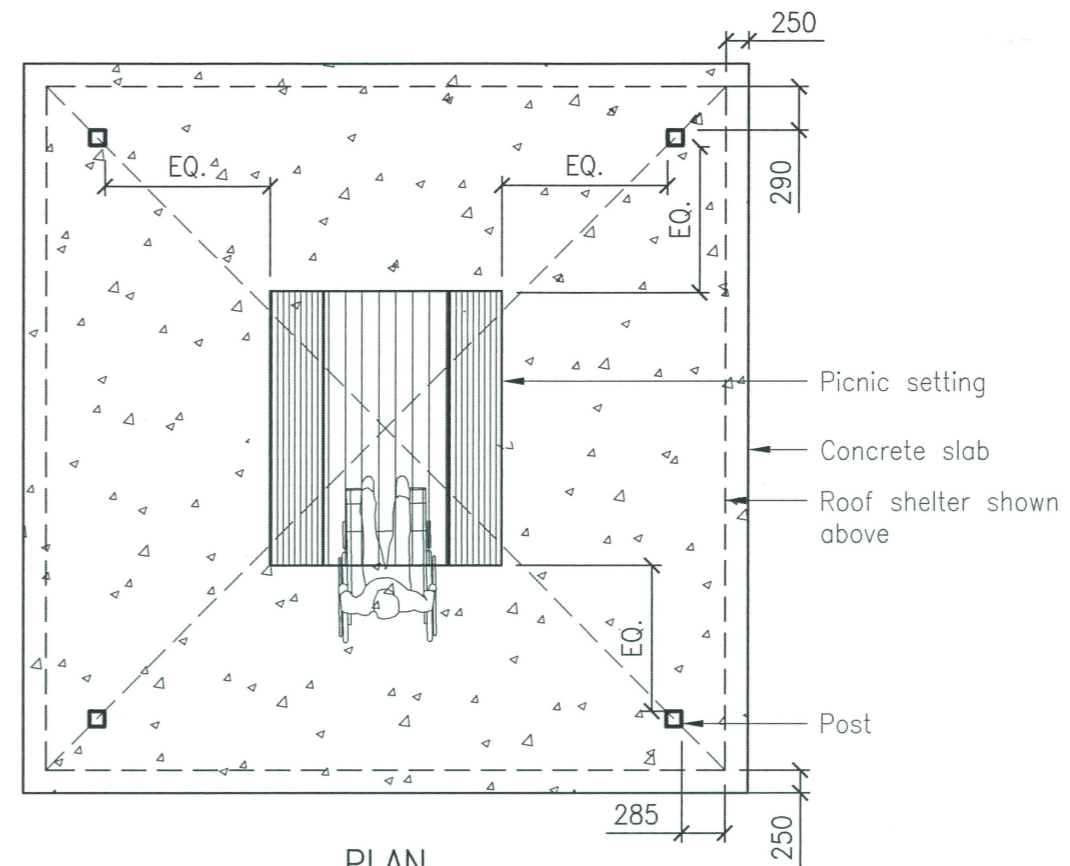


PLAN
BBQ & SHELTER ON CONCRETE SLAB

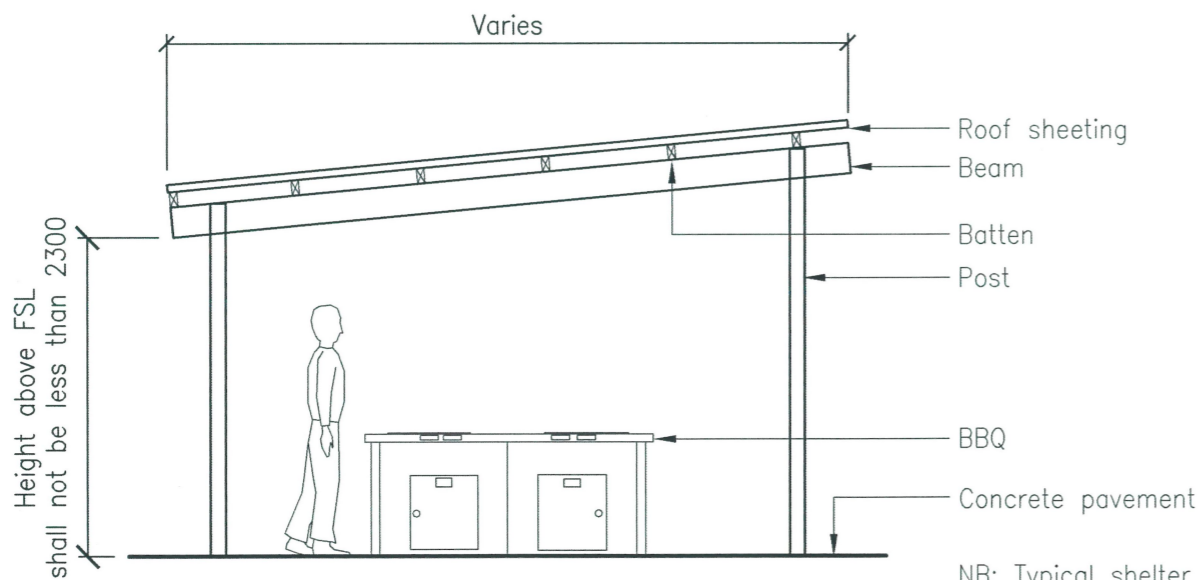
Scale N.T.S

NB: Typical BBQ dimensions:
 1800 x 900 x 900mm
 2200 x 900 x 900mm



PLAN
PICNIC SETTING & SHELTER ON CONCRETE SLAB

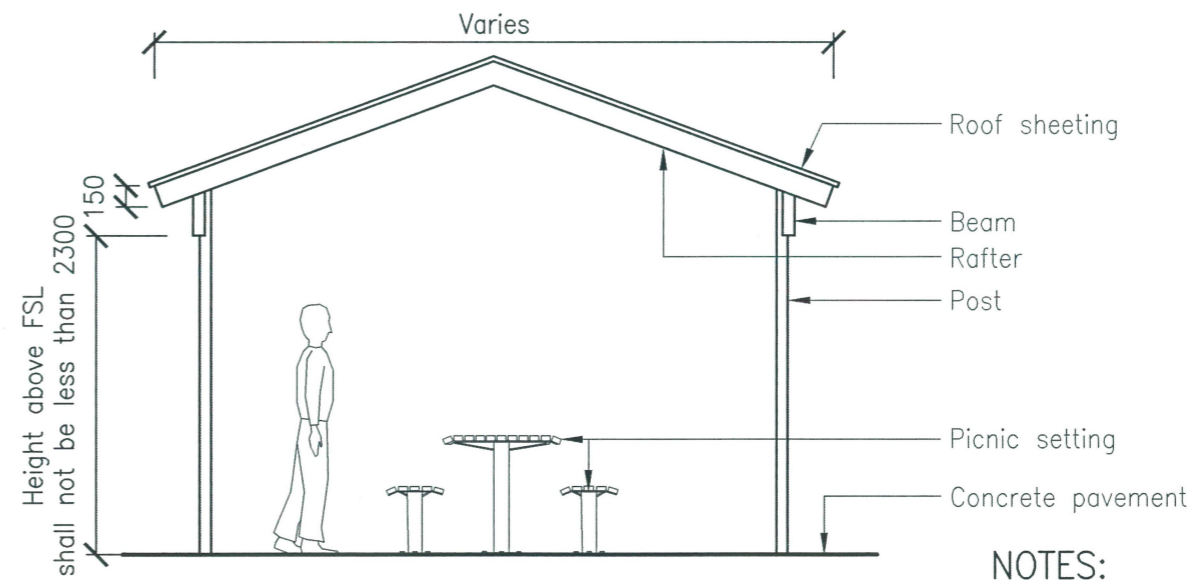
Scale N.T.S



SECTION
BBQ & SHELTER ON CONCRETE SLAB

Scale N.T.S

NB: Typical shelter dimensions:
 4000 x 4000mm
 5000 x 5000mm



SECTION
PICNIC SETTING & SHELTER ON CONCRETE SLAB

Scale N.T.S

NOTES:

1. All concrete N32 Min in accordance with AS 1379 and AS 3600.
2. All dimensions are in millimetres unless shown otherwise.

REVISIONS	INIT	DATE
E		
D		
C		
B		
A		
ORIGINAL ISSUE	VC	07/16

SCALES	Drawn	VC	Date	07/16
	Coordinator	WM	Date	07/16
AUTHORISED 14/07/16 Manager Integrated Transport Planning & Design RPEQ 6872				

PARK FURNITURE SETOUT - SHEET 2 OF 2

Moreton Bay
 Regional Council

DRG No. **PN-6601**

ORIGINAL SIZE **A3** REVISION