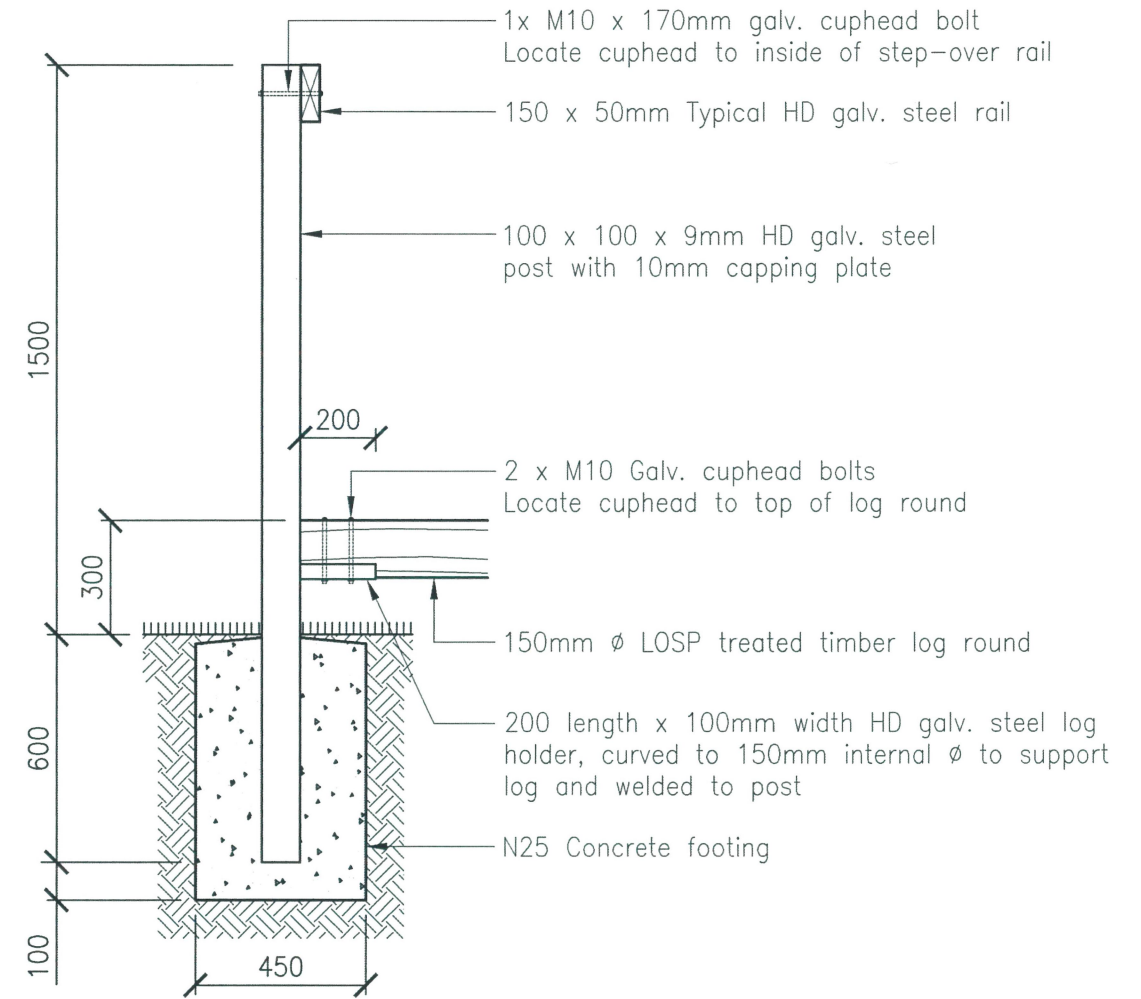


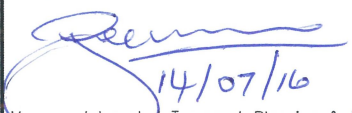
PLAN
HORSE STEP-OVER
Scale N.T.S



SECTION
LOG BARRIER FIXING
Scale N.T.S

NOTES:

1. All concrete N32 Min in accordance with AS 1379 and AS 3600.
2. All dimensions are in millimetres unless shown otherwise.

REVISIONS		INIT	DATE	SCALES	Drawn	VC	Date	07/16
E					Coordinator	WM	Date	07/16
D					AUTHORISED  14/07/16 Manager Integrated Transport Planning & Design RPEQ 6672			
C								
B								
A								
ORIGINAL ISSUE		VC	07/16					

HORSE STEP-OVER DETAIL



DRG No. **PN-6590**

ORIGINAL SIZE **A3** REVISION