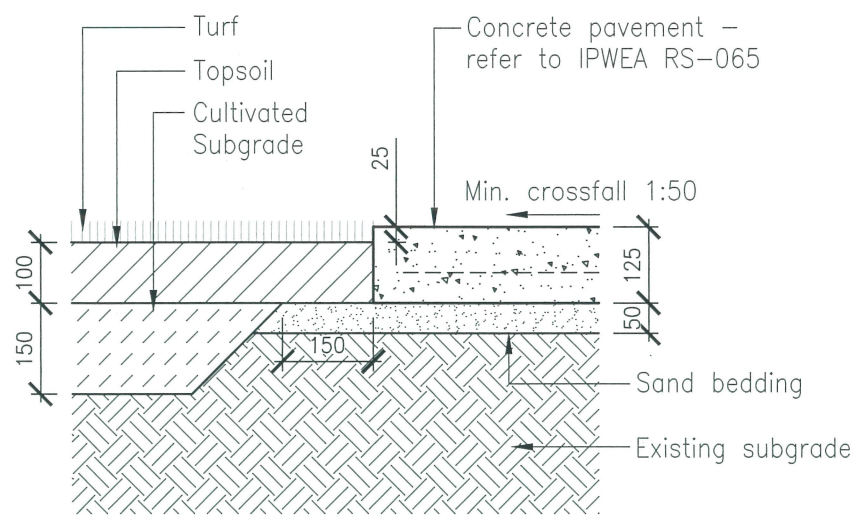
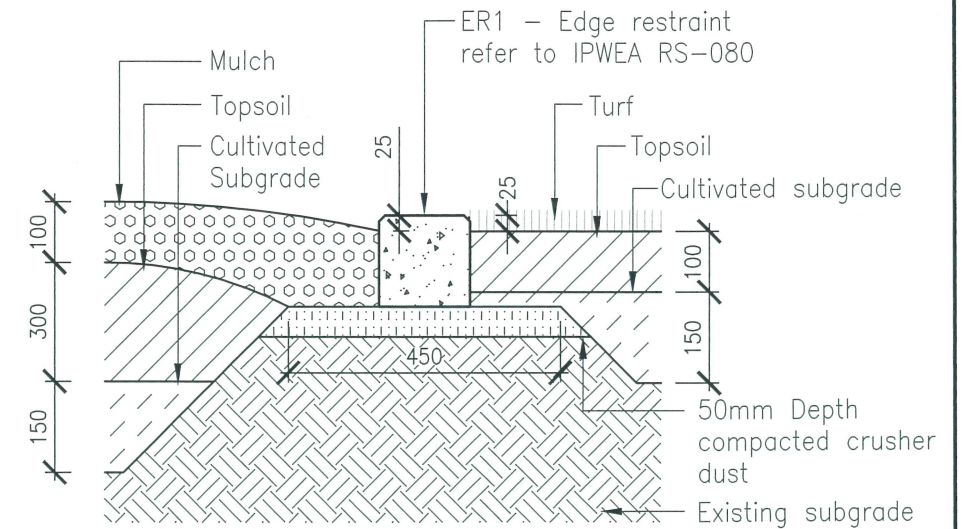


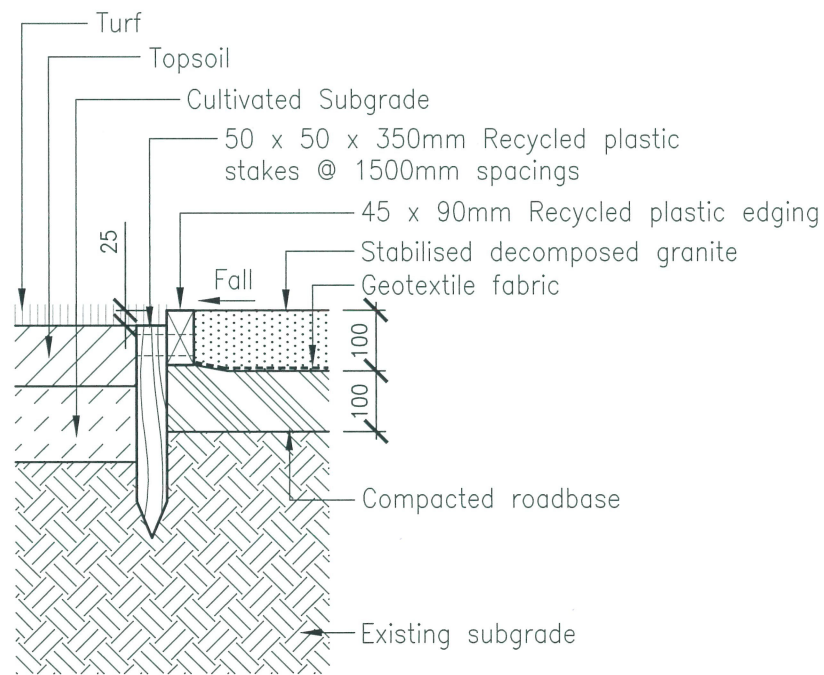
PAVEMENT TO PLANTING
Scale N.T.S



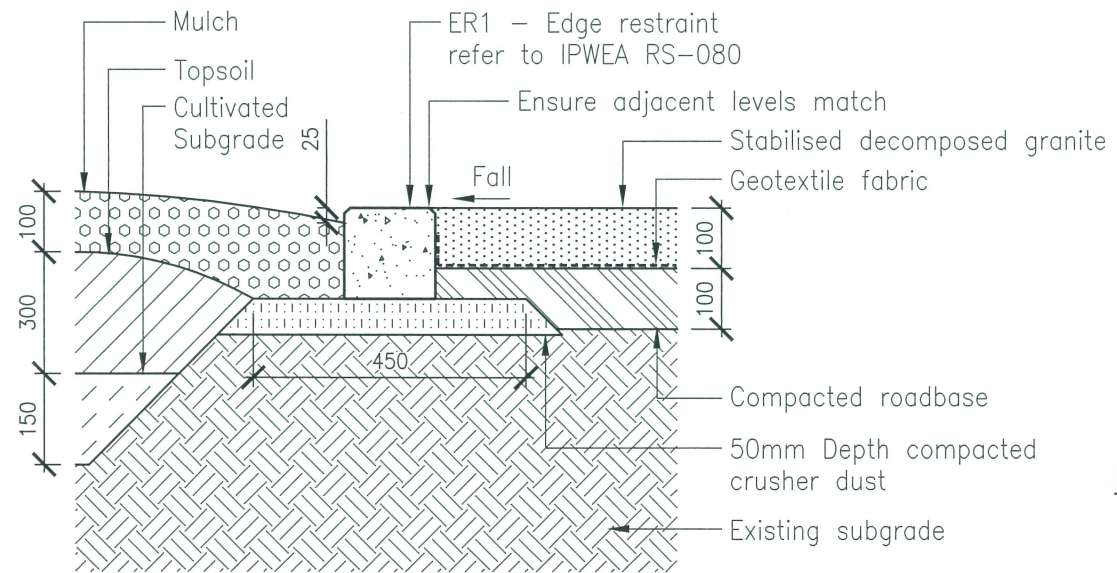
PAVEMENT TO TURF
Scale N.T.S



PLANTING TO TURF
Scale N.T.S



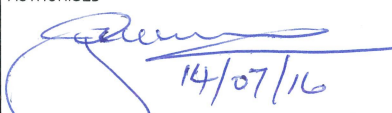
PLASTIC EDGE - TURF TO DECOMPOSED GRANITE
Scale N.T.S



PLANTING TO DECOMPOSED GRANITE
Scale N.T.S

NOTES:

1. All materials and construction shall comply with AS 2876.
2. All concrete N32 Min in accordance with AS 1379 and AS 3600.
3. Control joints shall be 3 metre centres for kerbs and 2m centres for pathways unless otherwise specified on project dwgs.
4. 20mm arris to all top corners of edging.
5. All dimensions are in millimetres unless shown otherwise.

REVISIONS	INIT	DATE	SCALES	Drawn	VC	Date	07/16
E				Coordinator	WM	Date	07/16
D				AUTHORISED			
C				 14/07/16 Manager Integrated Transport Planning & Design RPEQ 6872			
B							
A							
ORIGINAL ISSUE	VC	07/16					

TYPICAL EDGE DETAILS



DRG No. **PN-6520**

ORIGINAL SIZE **A3** REVISION