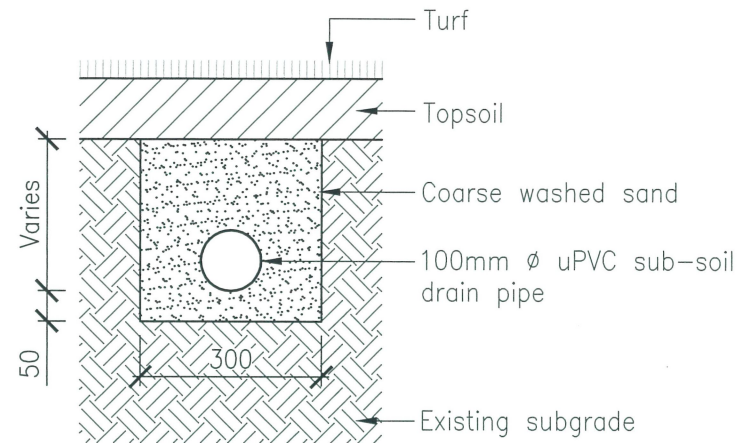
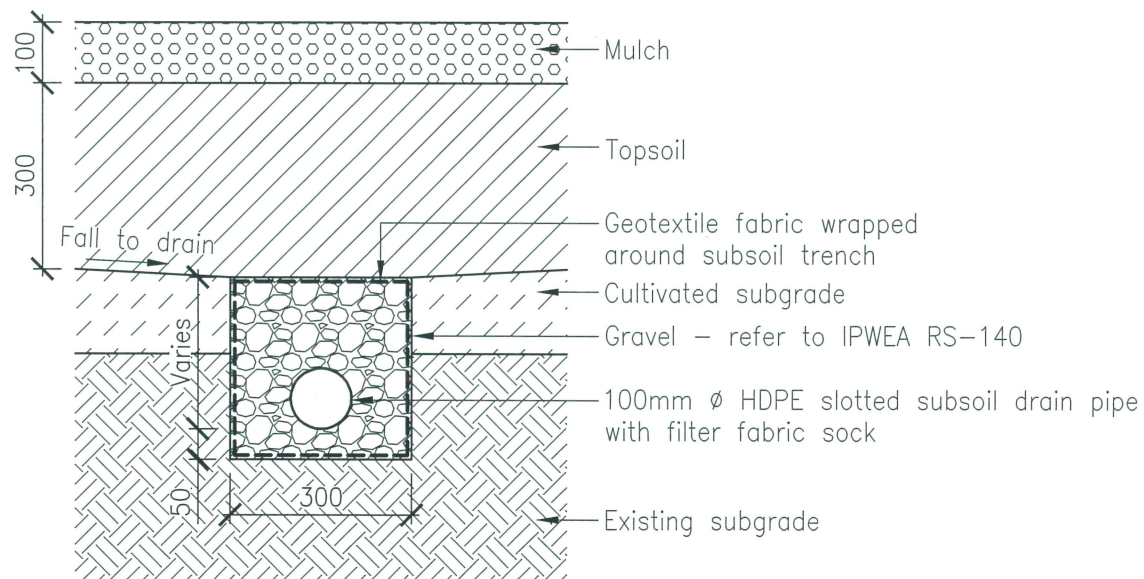


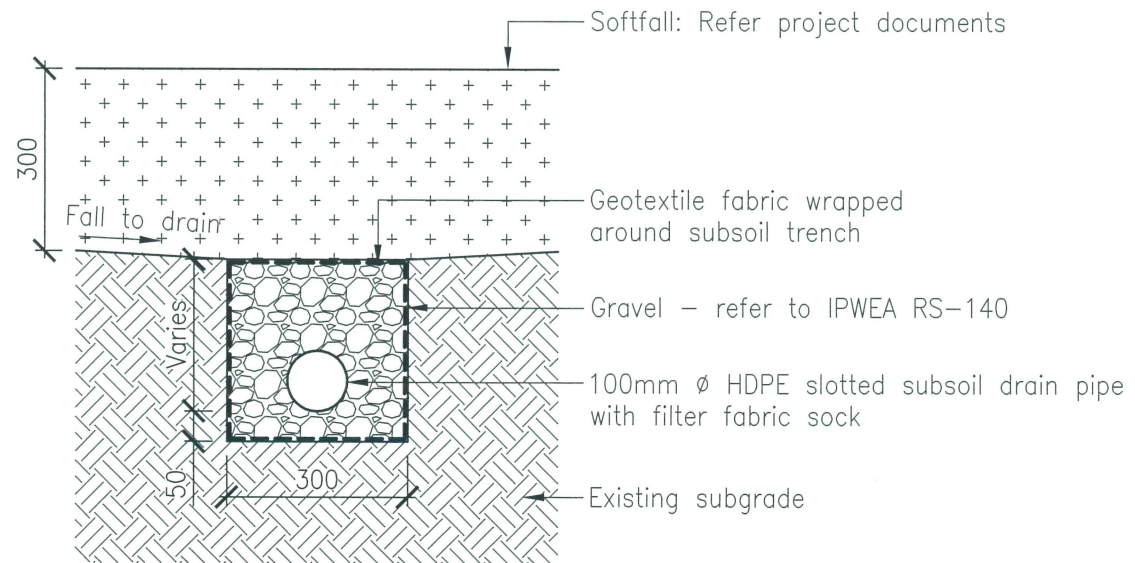
FIELD INLET
Scale N.T.S



STORMWATER CONNECTION DRAIN
Scale N.T.S



SUBSOIL DRAIN TO PLANTED AREAS
Scale N.T.S



SUBSOIL DRAIN TO PLAYGROUND
Scale N.T.S

GENERAL NOTES:

- Ensure mown height of grass areas finishes flush with grate.
- Ensure garden areas (mulch) finish 25mm below grate.
- Ensure minimum 1:50 falls on pavement and 1:40 falls on turf evenly graded to areas surrounding field inlets.
- Field inlet pits only to be used to drain low areas within landscape and turf areas - not suitable for extensive waterway or civil road / carpark areas.
- All dimensions in millimetres.
- Australian standards shall be in accordance with the current editions of the referenced Australian Standards except where varied by specifications and / or drawings.

REVISIONS		INIT	DATE	SCALES	Drawn	VC	Date	07/16
E					Coordinator	WM	Date	07/16
D					AUTHORISED 14/07/16 Manager Integrated Transport Planning & Design RPEQ 6872			
C								
B								
A								
ORIGINAL ISSUE		VC	07/16					

SUB-SOIL DRAINAGE DETAILS



DRG No. **PN-6500**

ORIGINAL SIZE **A3** REVISION