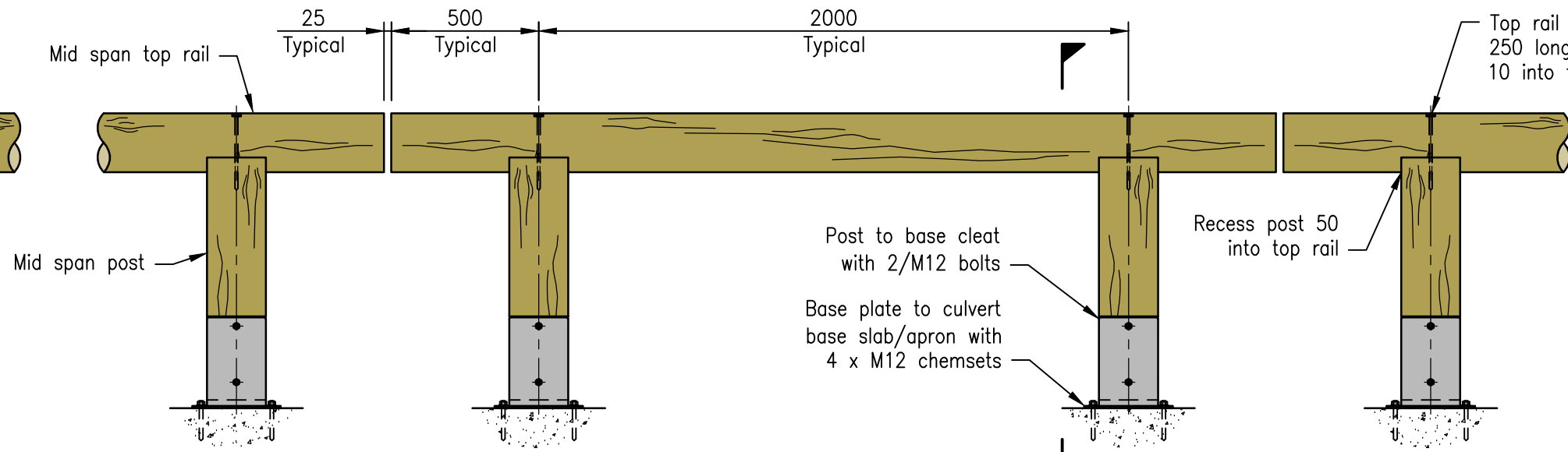
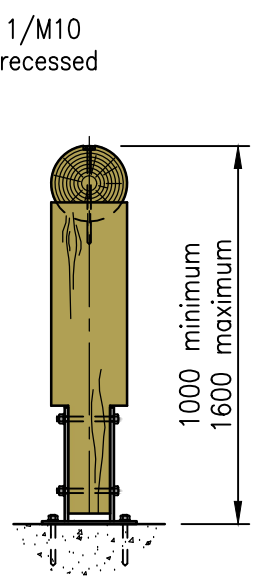


**LOG RAIL
TERMINAL END ELEVATION**
Scale B



**LOG RAIL
MID SPAN ELEVATION**
Scale B



SECTION 3
Scale B

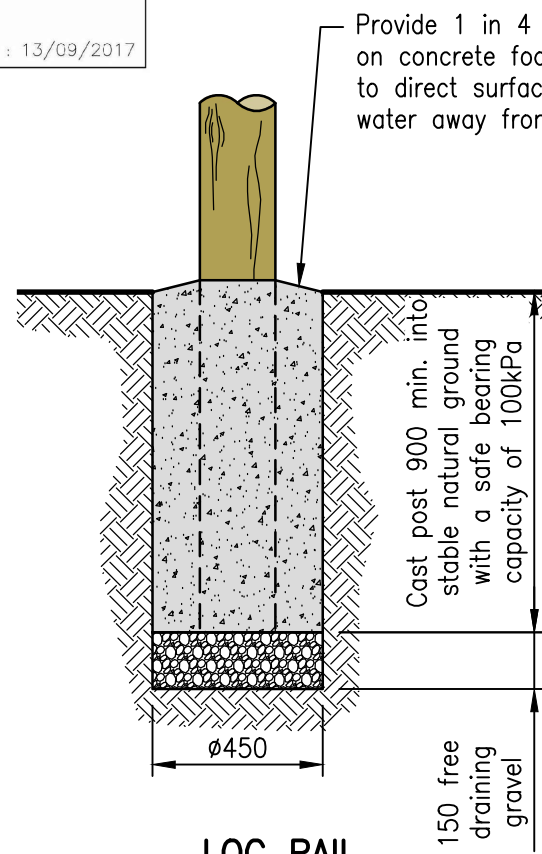
The structural work shown on this drawing is considered to be structurally sound, and suitable for the design loads.

All construction to be as per current Australian Standards and Building Codes, in accordance with MBRC requirements, and in a professional and tradesmanlike manner

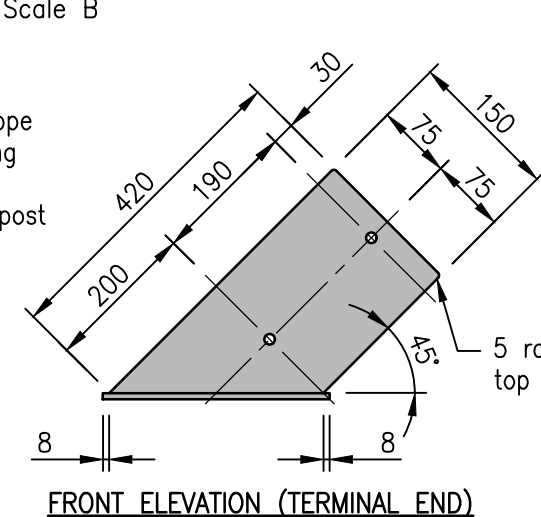
IAN BARNES & ASSOCIATES P/Ltd
CONSULTING ENGINEERS
P.O. Box 1378
CABOODLURE 4510
ABN 70 057802490
Office : 07 5495 8444
Mobile : 0418 873 320
RPEQ 3333 Date : 13/09/2017



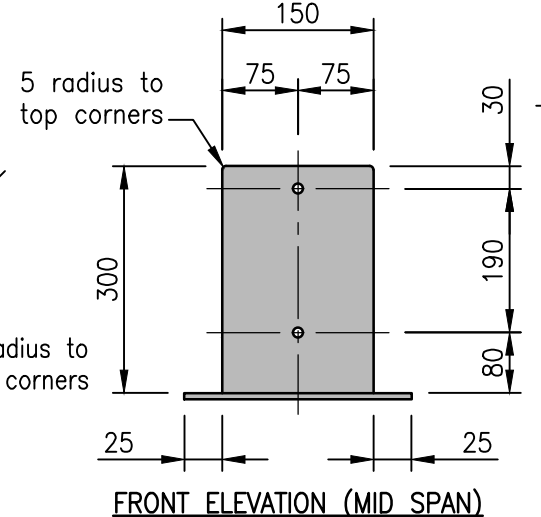
EXAMPLE PHOTO
Not to scale



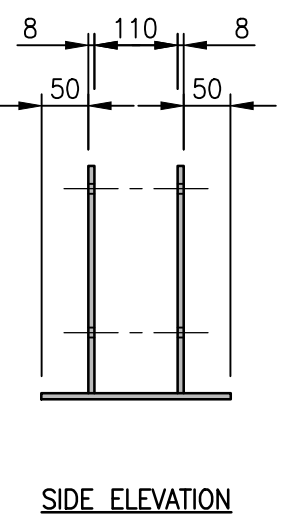
**LOG RAIL
ALTERNATE FOOTING ELEVATION**
Scale B



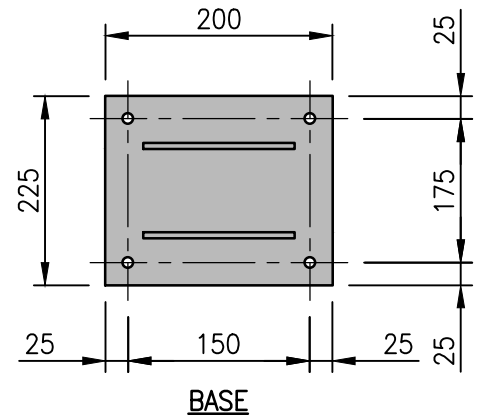
FRONT ELEVATION (TERMINAL END)



FRONT ELEVATION (MID SPAN)



SIDE ELEVATION



BASE

LOG RAIL BASE CLEAT DETAILS (8mm THICK PLATE)
Scale B

| REVISIONS | INIT | DATE |
|----------------|------|-------|
| E | | |
| D | | |
| C | | |
| B | TC | 7/17 |
| A | RH | 12/16 |
| ORIGINAL ISSUE | BW | 07/16 |

| SCALES |
|-----------------------------|
| A 0mm 250 500 750 1000 1:50 |
| B 0mm 25 50 75 100 1:5 |

| | | | |
|---|----|------|-------|
| Drawn | BW | Date | 07/16 |
| Coordinator | PP | Date | 07/16 |
| AUTHORISED | | | |
| SYD JERRAM 07/07/16 | | | |
| Manager Integrated Transport Planning & Design RPEQ 6872 | | | |

**FAUNA CROSSING
UNDERPASS
SHEET 2 OF 2**

**Moreton Bay
Regional Council**

DRG No. **GI-0541**

ORIGINAL SIZE **A3** REVISION **B**