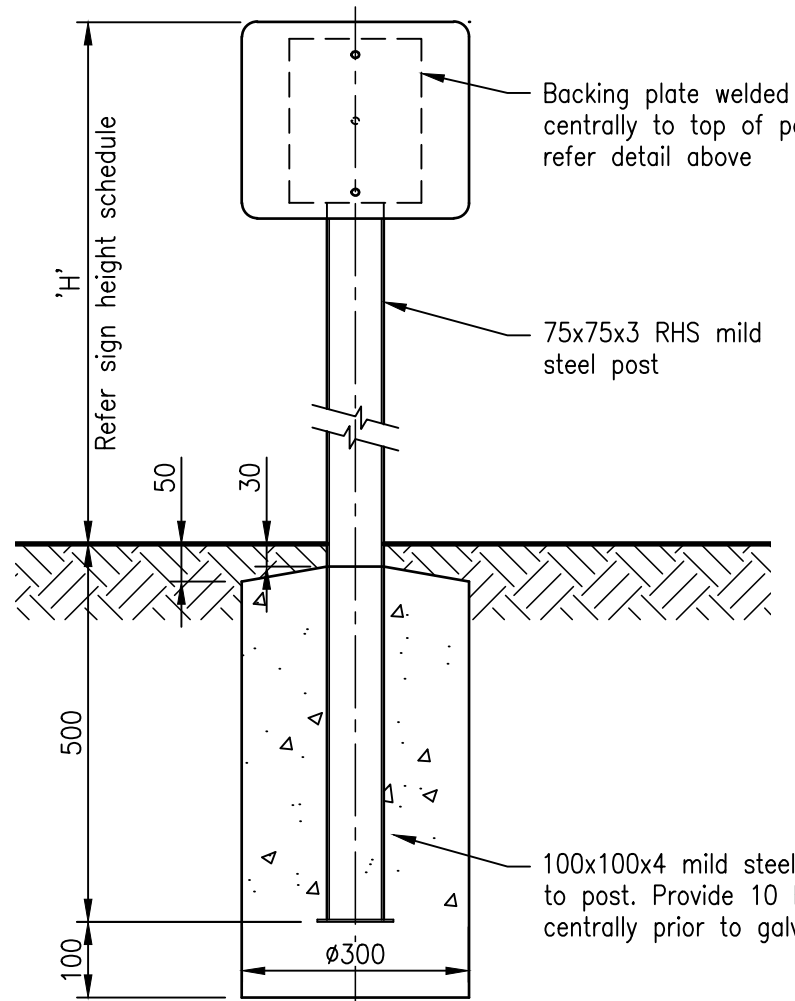
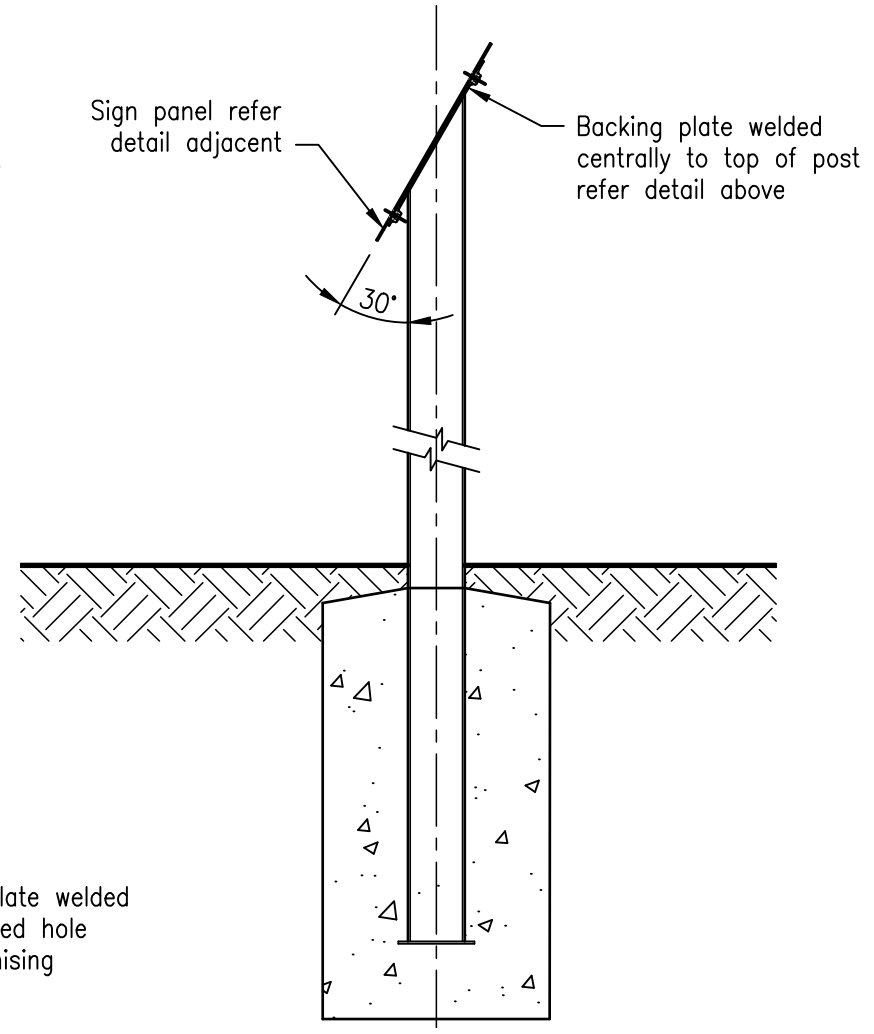


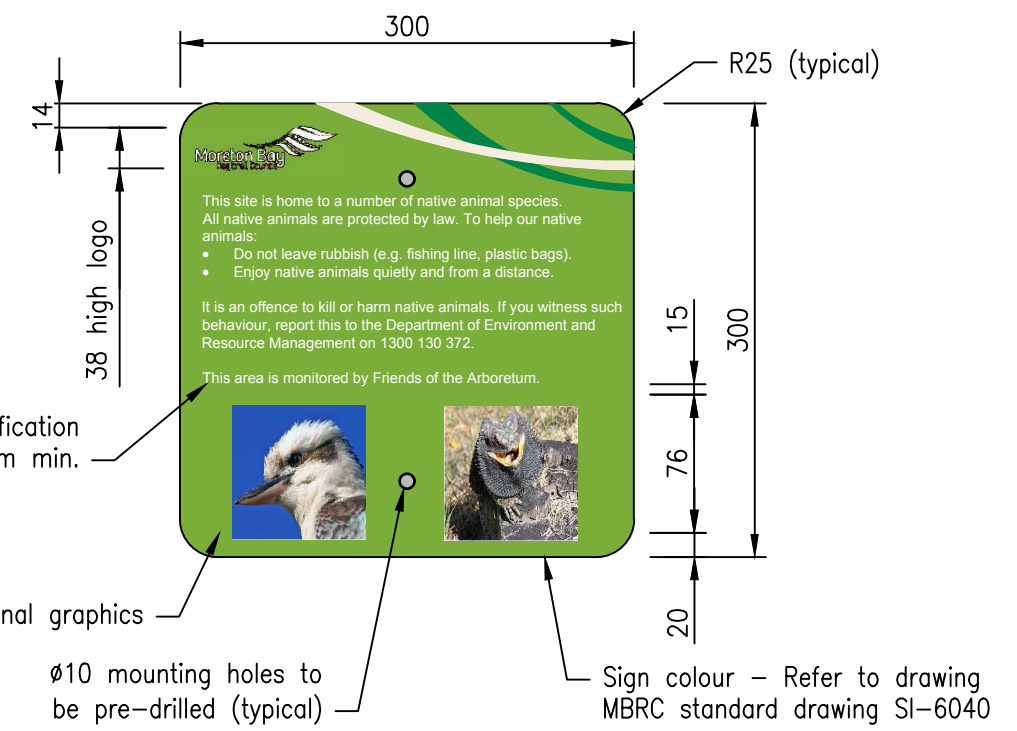
**BACKING PLATE DETAIL**  
Scale B



**FRONT ELEVATION**  
Scale A



**SIDE ELEVATION**  
Scale A



**SIGN PANEL**  
Scale B

**SIGN HEIGHT SCHEDULE**

SIGN TYPE	'H' SIGN HEIGHT
Type 3	1200
Type 4	1000
Type 5	800

**NOTES:**

1. Refer Refer to MBRC standard drawing SI-6040 for sign graphics and colours.
2. Concrete shall be N32/20 poured directly against augured hole and mechanically vibrated full depth.
3. Refer to Project Specification for sign location, sign wording, special graphics and any special requirements.
4. Frames are to be hot dipped galvanised after fabrication and powder coated to match the main sign face colour.
5. Sign panels are to have all corners and edges free of sharp edges and burrs.
6. Apply 3M anti-graffiti clear film or Council approved equivalent finished surface of panels.
7. Ensure sign is installed vertical/plumb and sign panels are horizontal (level).
8. All sizes are in millimetres unless otherwise noted.

REVISIONS	INIT	DATE
E		
D		
C		
B		
A	RH	12/16
ORIGINAL ISSUE	BW	07/16

SCALES
A 0mm 50 100 150 200 1:10
B 0mm 25 50 75 100 1:5

Drawn	BW	Date	07/16
Coordinator	PP	Date	07/16
AUTHORISED			
<b>SYD JERRAM</b> 07/07/16			
Manager Integrated Transport Planning & Design RPEQ 6872			

**OPEN SPACE SIGNAGE  
LEVEL 5 - TYPE 3, 4 & 5**

DRG No. **SI-6045**

ORIGINAL SIZE **A3** REVISION **A**