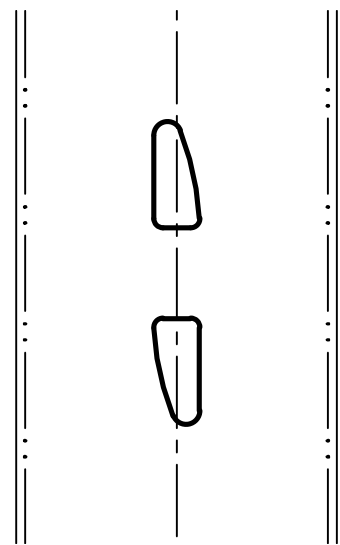
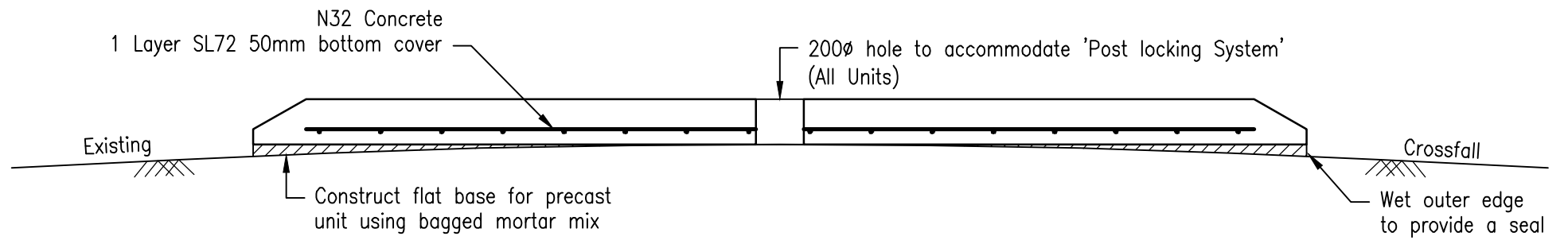


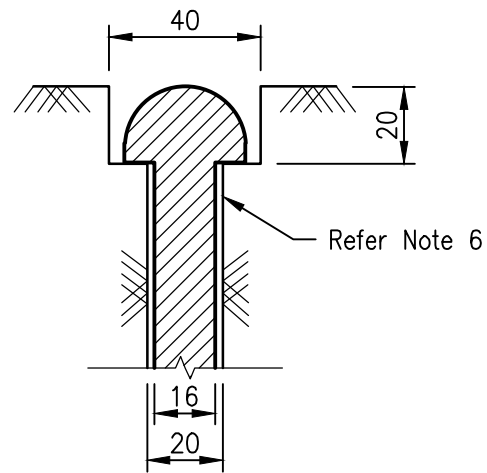
TYPICAL INTERSECTION ARRANGEMENT
Not to Scale



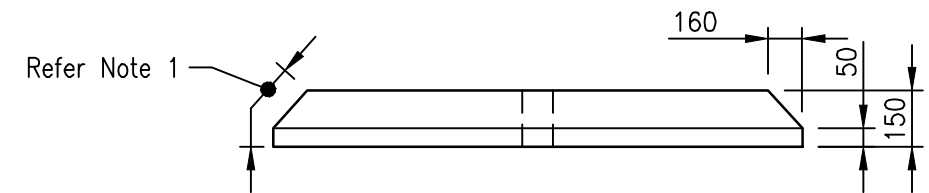
TYPICAL MID-BLOCK ARRANGEMENT
Not to Scale



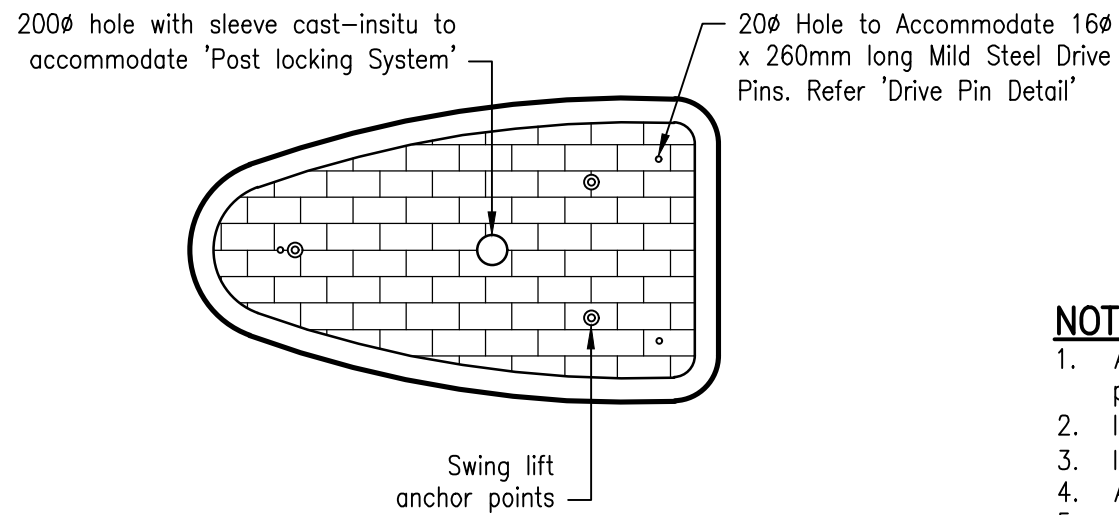
TYPICAL SECTION
Scale A



TYPICAL DRIVE PIN DETAIL
Not to Scale



TYPICAL ELEVATION
Scale A



TYPICAL PLAN
Scale A

NOTES:

1. All faces of kerbs are to be painted with white retro-reflective paint or similar.
2. Island surface shall be stamped 'block' pattern.
3. Island surface color shall be 'Terracotta' (Or equivalent)
4. All precast units concrete strength to be 32MPa.
5. All dimensions are in millimetres and Radii 300mm unless noted otherwise.
6. Precast islands to be installed as per manufacturers specifications.

REVISIONS	INIT	DATE
E		
D		
C		
B		
A	RH	01/17
ORIGINAL ISSUE	BW	07/16

SCALES
A 0mm 250 500 750 1000 1:50

Drawn	BW	Date	07/16
Coordinator	PP	Date	07/16
AUTHORISED			
SYD JERRAM 07/07/16			
Manager Integrated Transport Planning & Design RPEQ 6872			

**PRECAST TRAFFIC ISLAND
TYPICAL DETAILS
SHEET 1 OF 2**



DRG No. **RW-4060**

ORIGINAL SIZE **A3**

REVISION **A**