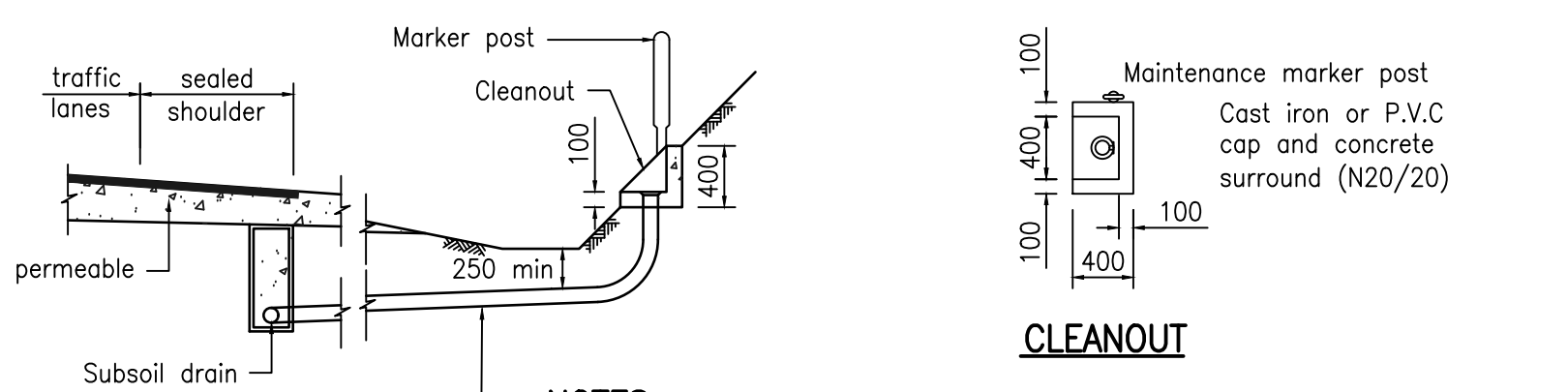
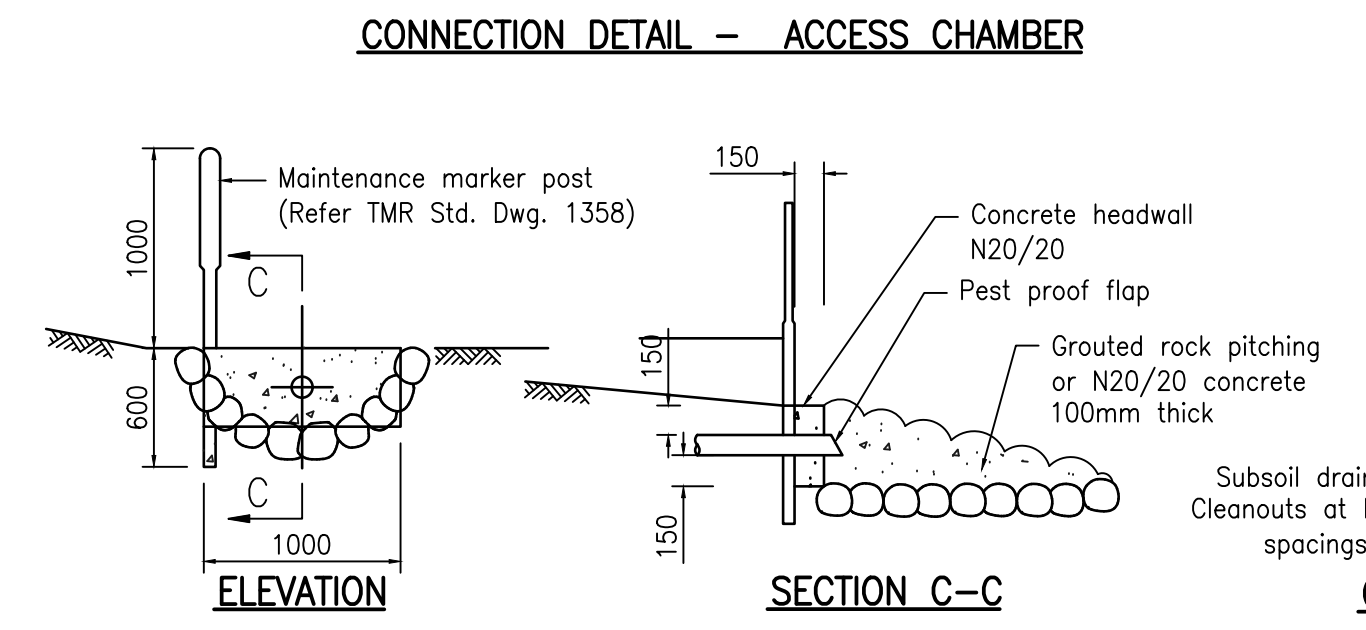
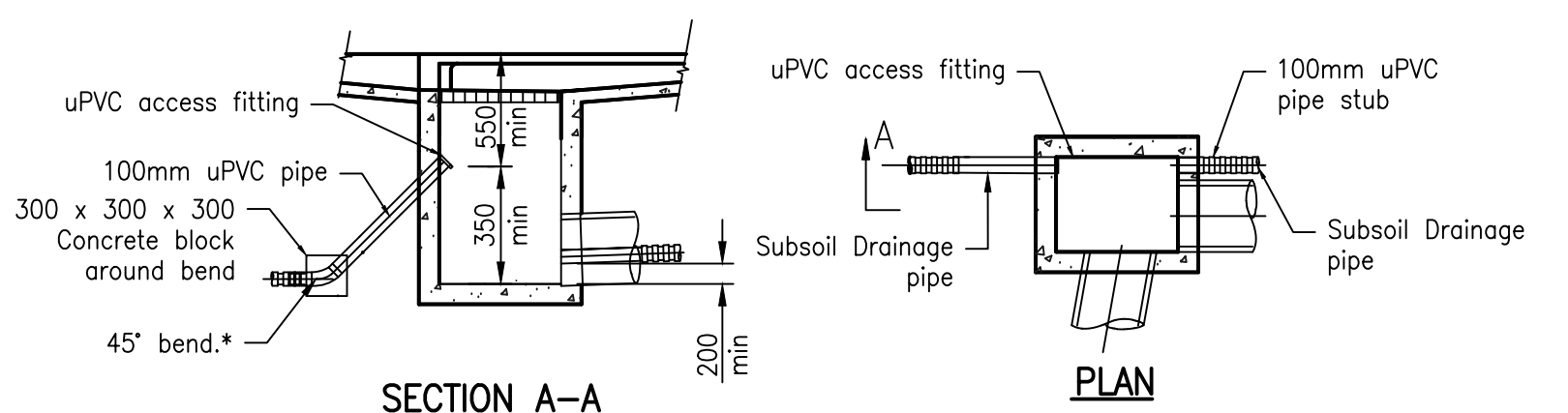


* Bend may be omitted where there is insufficient depth to the side drain trench. A min fall of 100mm is to be provided in the connection pipe between the cap and the side drain pipe



- NOTES:**
1. Refer to RS-140 for subsoil drain details and locations.
 2. All pipes and fittings other than subsoil drains to be 100 dia Class 12 pipe.
 3. All subsoil drains shall be in accordance with DTMR specification MRTS03.
 4. Concrete anchors to be N25 in accordance with AS 1379 and AS 3600.
 5. All dimensions are in millimetres unless shown otherwise.

These drawings have been developed in consultation between the participating Councils. BEFORE USE the user shall confirm that the drawing has been adopted by the appropriate Council.

F	06/14	Review
F	03/14	Amended Drawing number
D	12/11	Drawing number changed from SEQ R-142 to RS-142
C	06/11	Review
B	06/09	Review
G	06/16	Review
Rv.	DATE	REVISIONS
	03/08	ORIGINAL ISSUE



INSTITUTE OF PUBLIC WORKS ENGINEERING AUSTRALASIA
STANDARD DRAWINGS

SUBSOIL DRAINS
ACCESS POINTS

RS-142

F
E
D
C
B
G
Rv.