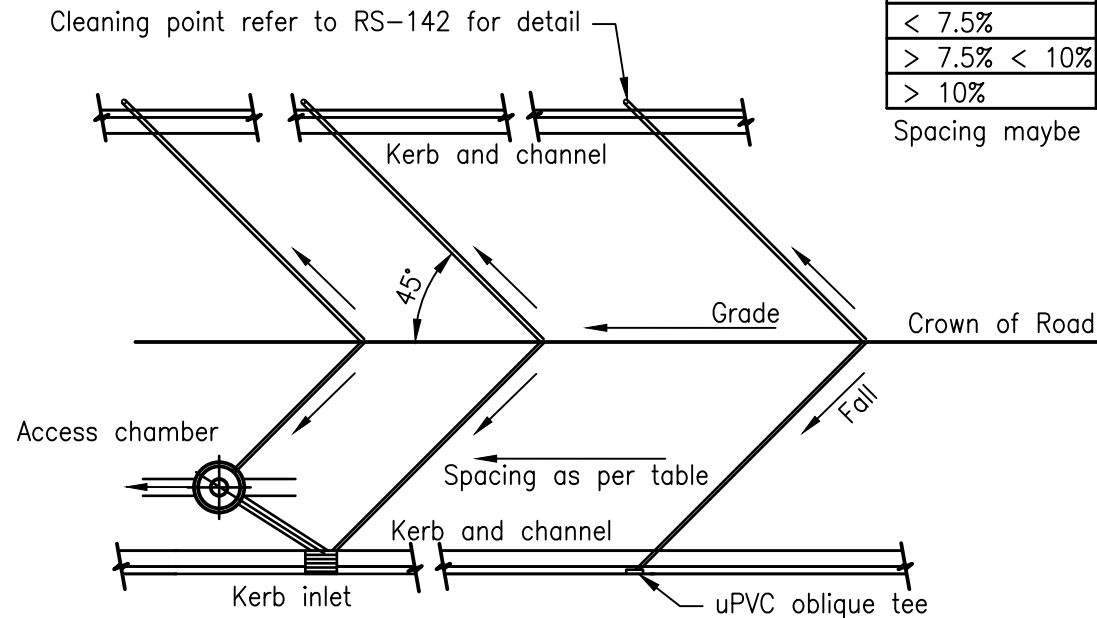


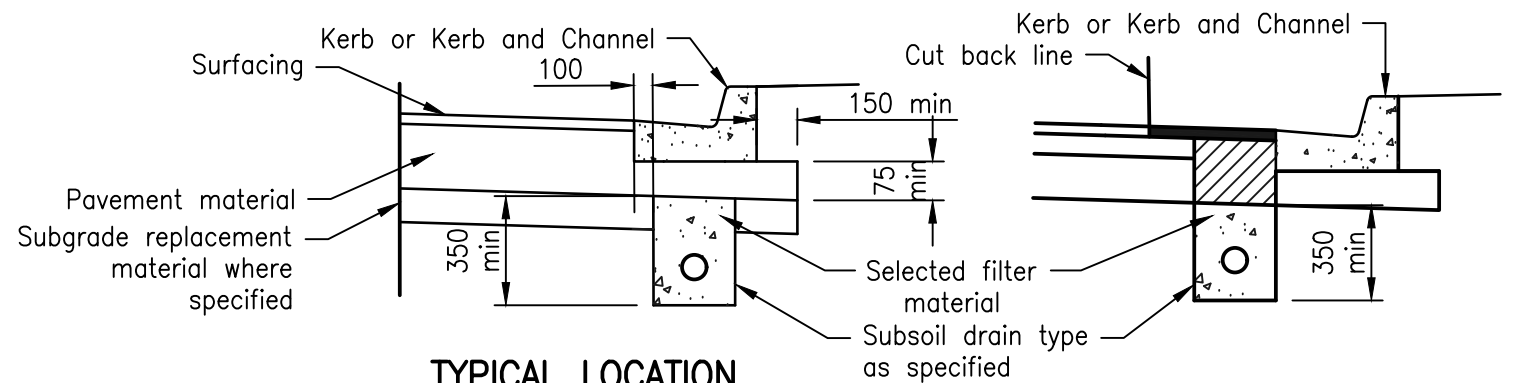
MITRE DRAIN SPACING

nom GRADE	SPACING
< 7.5%	40m centres
> 7.5% < 10%	30m centres
> 10%	20m centres

Spacing maybe reduced if required



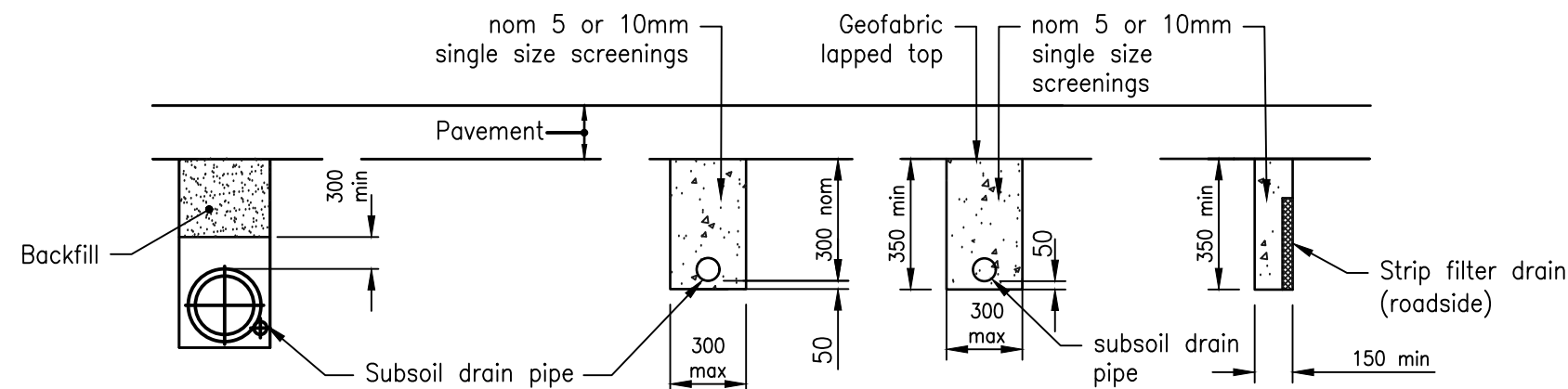
TYPICAL MITRE DRAIN LOCATIONS



**TYPICAL LOCATION
NEW CONSTRUCTION**

ALTERNATIVE LOCATION TO BE
APPROVED BY RELEVANT COUNCIL

**TYPICAL LOCATION WITH
EXISTING K&C**

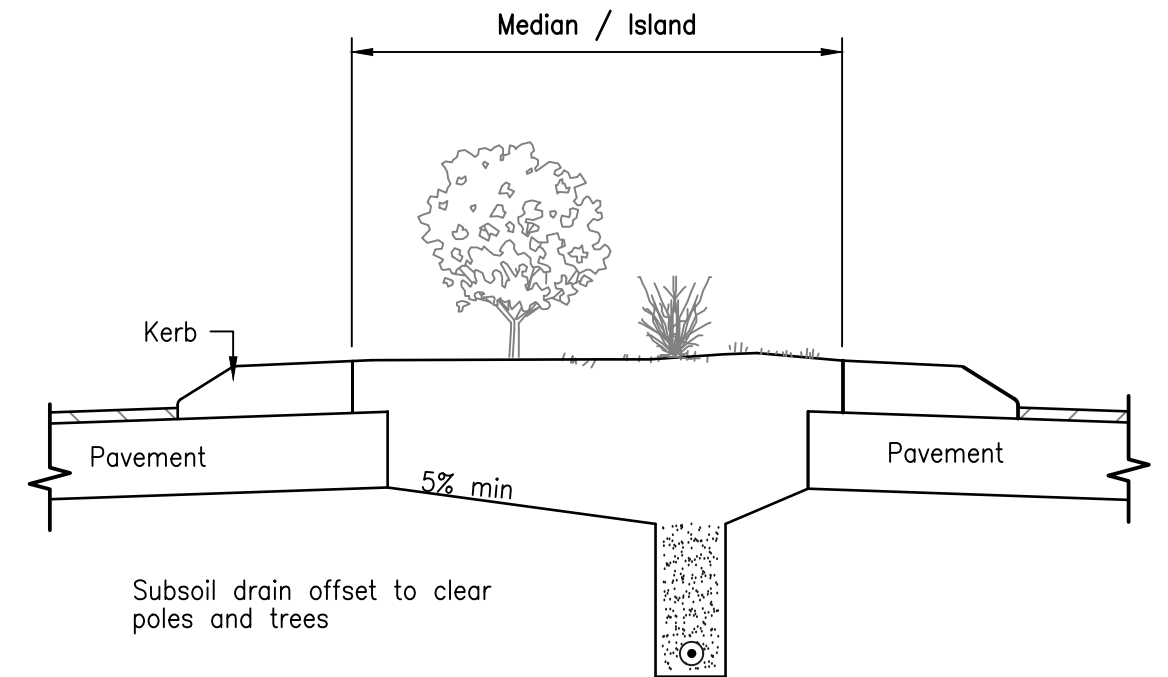


**STORMWATER DRAINAGE
TRENCHES WITH
SUBSOIL DRAINAGE**

TYPE A/B

TYPE B/C

TYPE B/D

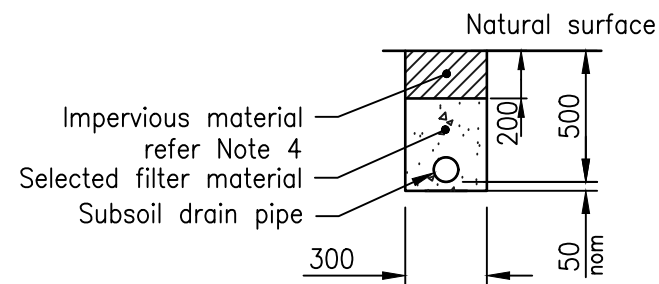


**ALTERNATIVE LOCATION
LANDSCAPE MEDIAN**

A.S. SIEVE SIZE	5mm nom size % BY WT. PASSING	10mm nom size % BY WT. PASSING
13.20 mm	-	100
9.50 mm	-	85 - 100
6.70 mm	100	-
4.75 mm	85 - 100	0 - 20
2.36 mm	0 - 40	0 - 5
75 µm	0 - 2	0 - 2

FILTER MATERIAL GRADING

Unless otherwise specified



**STANDARD
SUBSOIL DRAIN**

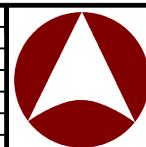
TYPE E

NOTES:

1. All subsoil drains to be Class 1000 polyethylene corrugated slotted pipe to AS 2439.1. Drains shall outlet at drainage pit, preferably or stormwater pipe 200 above invert min grade 0.5%, unless approved otherwise. Other pipes and fittings to be uPVC to AS 1254.
2. Filter materials not complying with the specified grading requirements may be used when approved by the relevant Council. A geofabric may be used to line trenches where approved by the relevant Council.
3. Refer to RS-142 for subsoil drainage access point details.
4. Impervious material to be provided where subsoil drainage is not under a pavement. When impervious material is omitted the backfill/selected filter material shall extend to underside of pavement.
5. All dimensions are in millimetres unless shown otherwise.

These drawings have been developed in consultation between the participating Councils.
BEFORE USE, the user shall confirm that the drawing has been adopted by the appropriate Council.

Rv.	DATE	REVISIONS
F	03/14	Amended Drawing Number
E	12/11	Drawing number changed from SEQ R-140 to RS-140
D	06/11	Review
C	06/10	Review
H	06/16	Review
G	06/14	Review



**INSTITUTE OF PUBLIC WORKS ENGINEERING AUSTRALASIA
STANDARD DRAWINGS**

**SUBSOIL DRAINS
DETAILS AND LOCATIONS**

RS-140

F
E
D
C
H
G
Rv.