

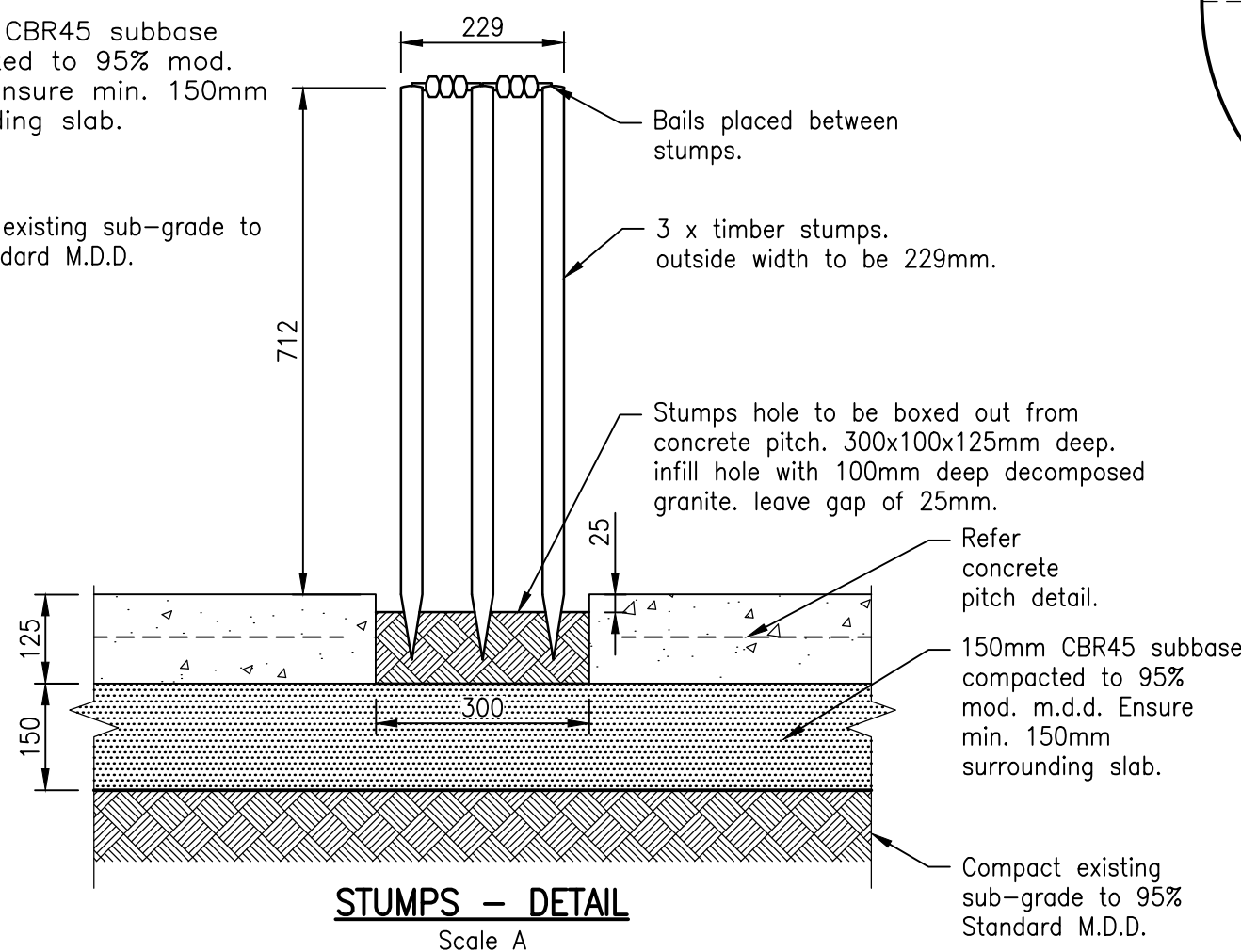
CRICKET SLAB (PITCH) - SECTION
Scale A

The structural work shown on this drawing is considered to be structurally sound, and suitable for the design loads.

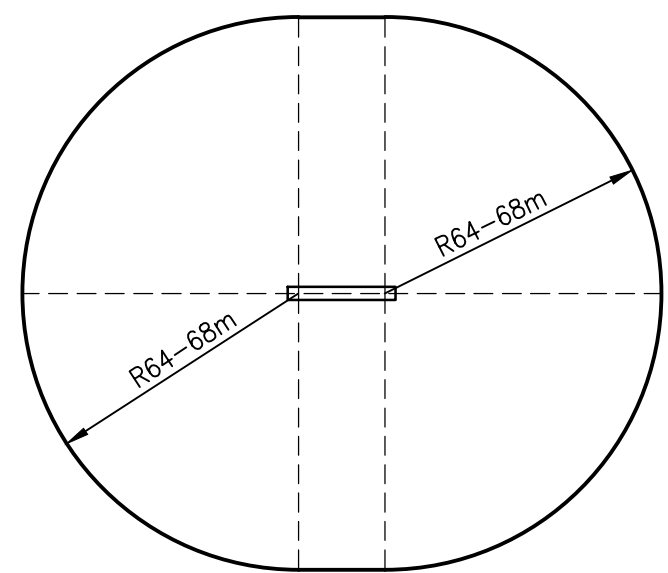
All construction to be as per current Australian Standards and Building Codes, in accordance with MBRC requirements, and in a professional and tradesmanlike manner.

IAN BARNES & ASSOCIATES P/Ltd
CONSULTING ENGINEERS
F.O. Box 1378
CABOOLTURE 4510
RPEQ 3333
Date: 13/09/2017

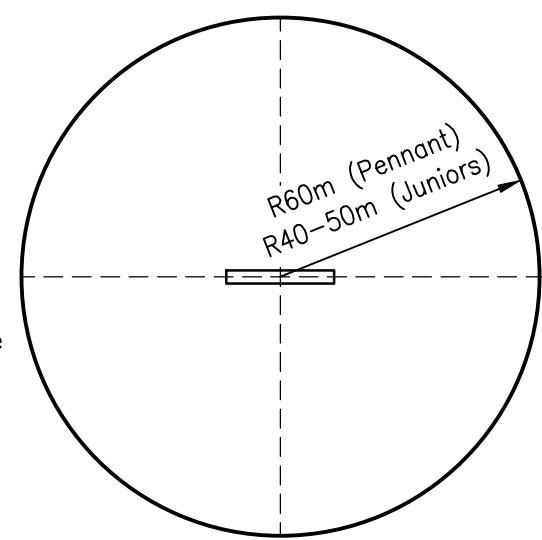
Refer to PN-6682 for cricket pitch specifications



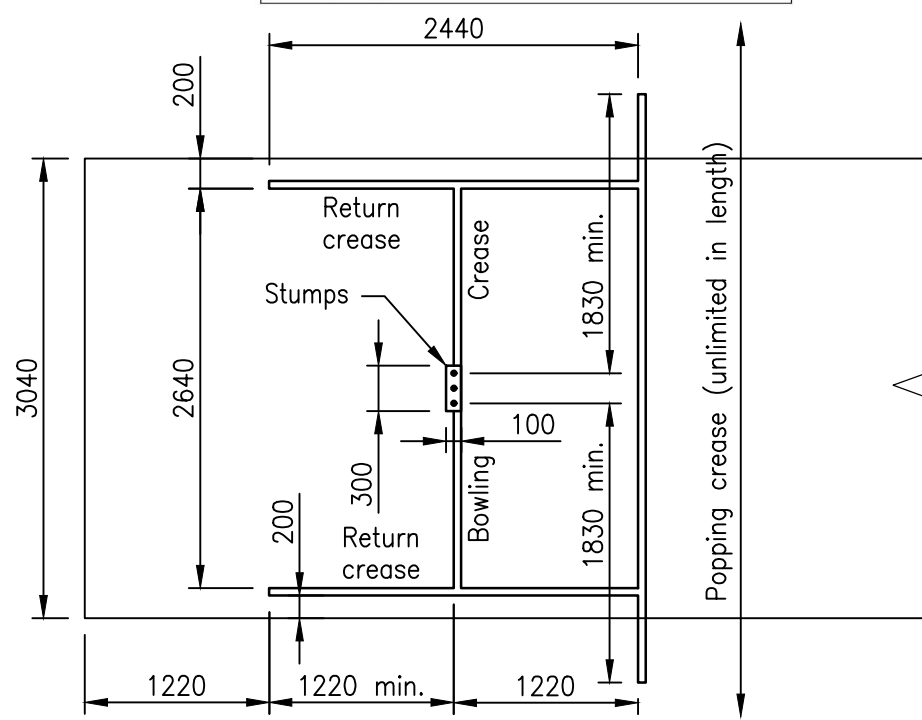
STUMPS - DETAIL
Scale A



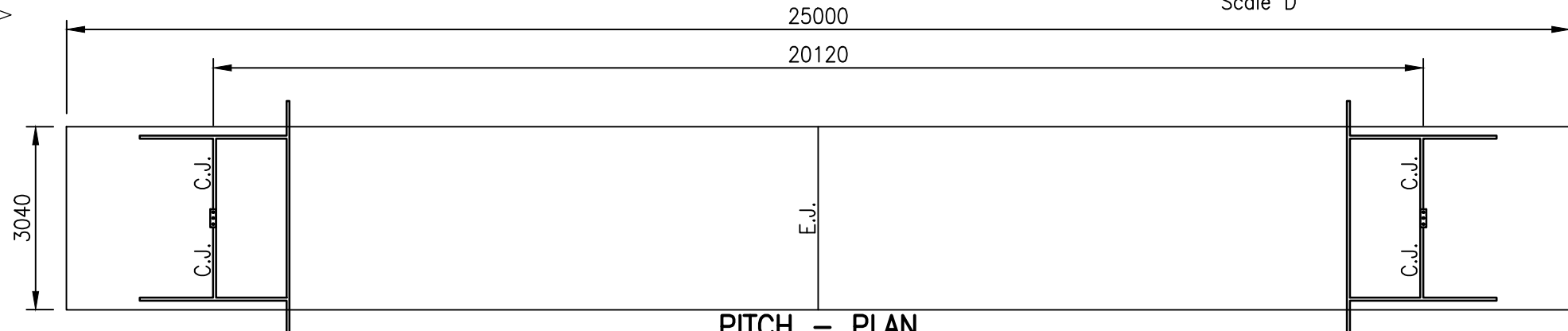
INTERNATIONAL SIZE FIELD (PREFERRED)



PENNANT AND JUNIOR GROUNDS FIELD LAYOUT - PLANS
Scale D



BOWLING CREASE - PLAN
Scale B



PITCH - PLAN
Scale C

REVISIONS	INIT	DATE
E		
D		
C		
B	TC	7/17
A	RH	12/16
ORIGINAL ISSUE	VC	07/16

SCALES	Scale
A	0mm 50 100 150 200 1:10
B	0mm 250 500 750 1000 1:50
C	0mm 500 1000 1500 2000 1:100
D	0mm 1000 2000 3000 4000 1:200

Drawn	VC	Date	07/16
Coordinator	WM	Date	07/16
AUTHORISED			
SYD JERRAM			
07/07/16			
Manager Integrated Transport Planning & Design			
RPEQ 6872			

CRICKET PITCH SHEET 2 OF 3 PLANS AND SECTIONS

Moreton Bay Regional Council

DRG No. **PN-6681**

ORIGINAL SIZE **A3** REVISION **B**