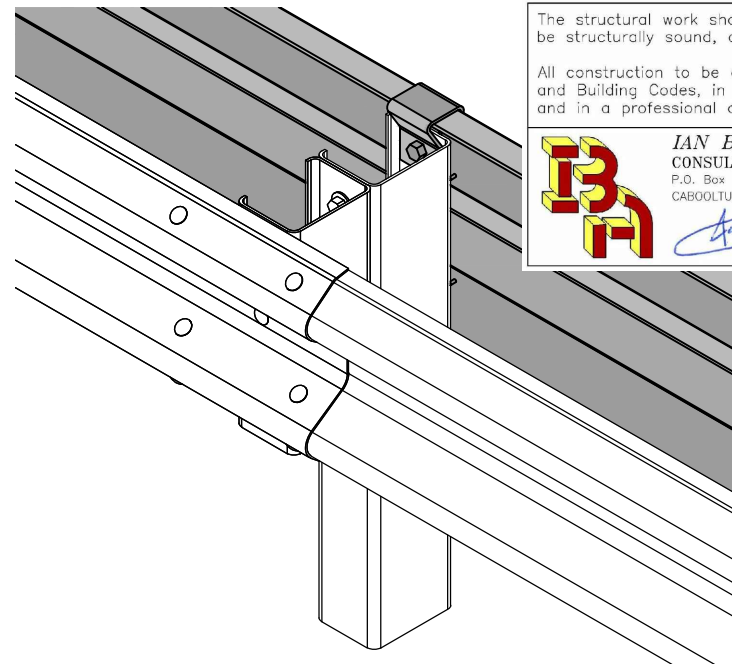


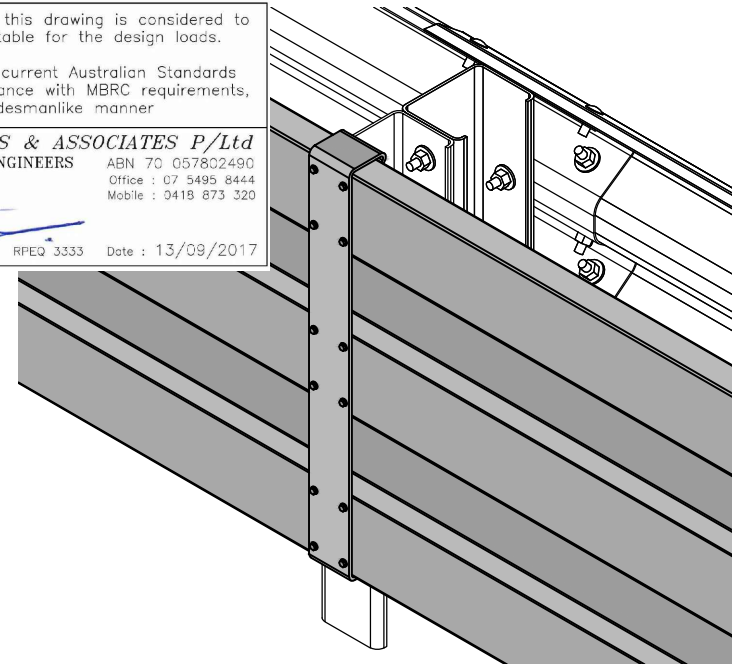
The structural work shown on this drawing is considered to be structurally sound, and suitable for the design loads.

All construction to be as per current Australian Standards and Building Codes, in accordance with MBRC requirements, and in a professional and tradesmanlike manner.

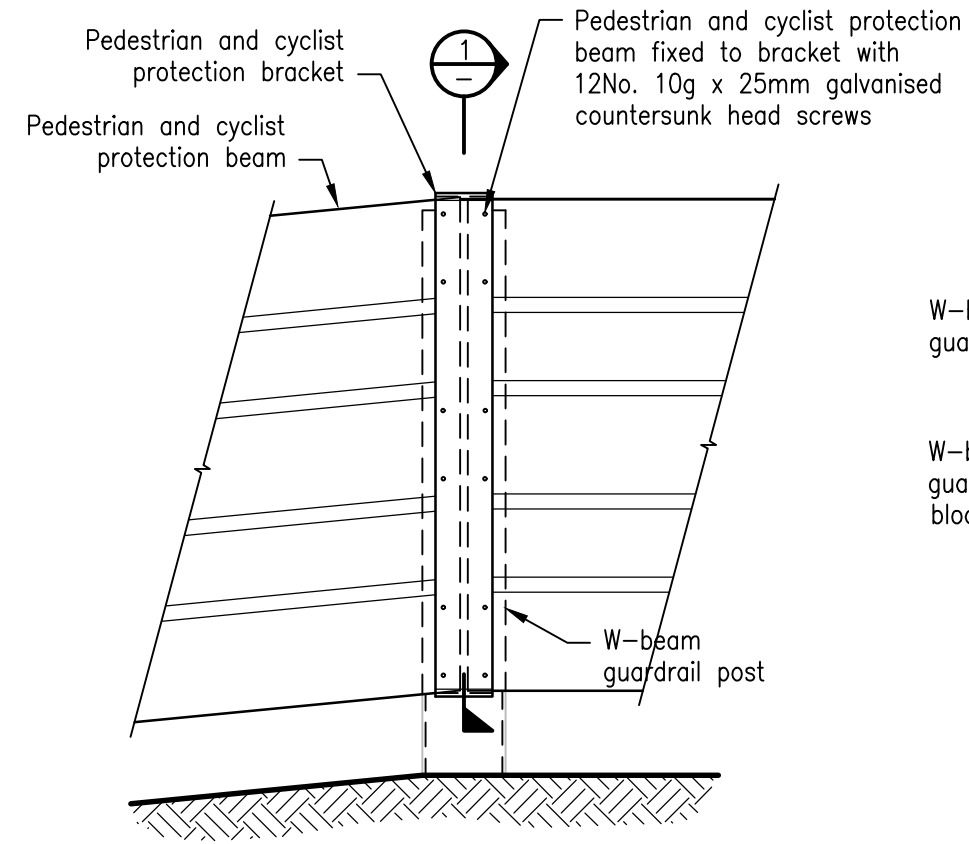
IAN BARNES & ASSOCIATES P/Ltd
 CONSULTING ENGINEERS
 P.O. Box 1378
 CABOOLTURE 4510
 ABN 70 057802490
 Office : 07 5495 8444
 Mobile : 0419 873 320
 RPEQ 3333 Date : 13/09/2017



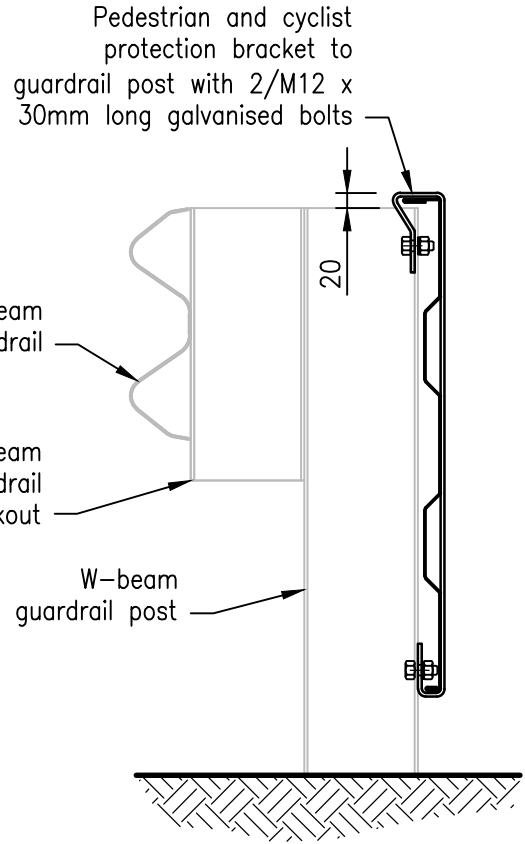
ISOMETRIC VIEW – ROAD SIDE
Scale A



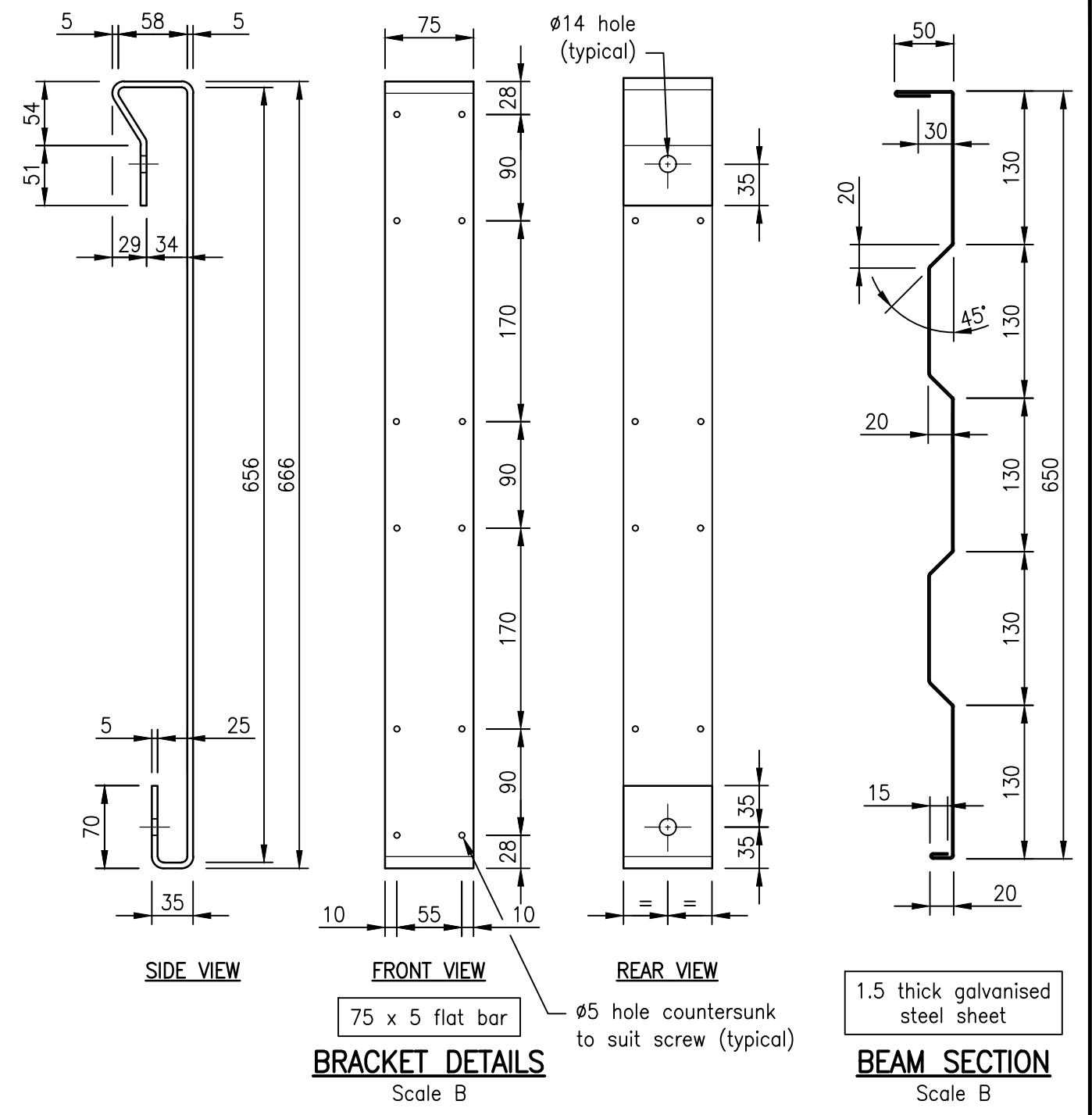
ISOMETRIC VIEW – VERGE SIDE
Scale A



PEDESTRIAN AND CYCLIST PROTECTION BEAM ELEVATION
VIEW FROM VERGE SIDE
Scale A



SECTION 1
Scale A



- NOTES:**
1. ISO metric precision and commercial hexagon bolts to AS1110 shall be used.
 2. Bolts, nuts, washers and screws shall be hot dipped galvanised in accordance with AS1214.
 3. Tek screws to be carbon steel SAE 1022 with Zenith-Tuffcoat or Buildex-Climacoat finish, or approved equivalent.
 4. Brackets to be grade 300 material and hot dipped galvanised after manufacture in accordance with AS4680.
 5. All cut edges to sheet steel shall be protected with a suitable two pack organic zinc rich primer.
 6. Damaged galvanised surfaces shall be repaired with a suitable two pack organic zinc rich primer.

REVISIONS	INIT	DATE
E		
D		
C		
B	TC	7/17
A	RH	12/16
ORIGINAL ISSUE	BW	04/16

SCALES
A 0mm 50 100 150 200 1:10
B 0mm 25 50 75 100 1:5

Drawn	Date
Coordinator	Date
AUTHORISED	
SYD JERRAM	
07/07/16	
Manager Integrated Transport Planning & Design	
RPEQ 6872	

W-BEAM GUARDRAIL POST PROTECTION FOR PEDESTRIANS AND CYCLISTS

Moreton Bay Regional Council

DRG No. **PC-2080**

ORIGINAL SIZE **A3** REVISION **B**