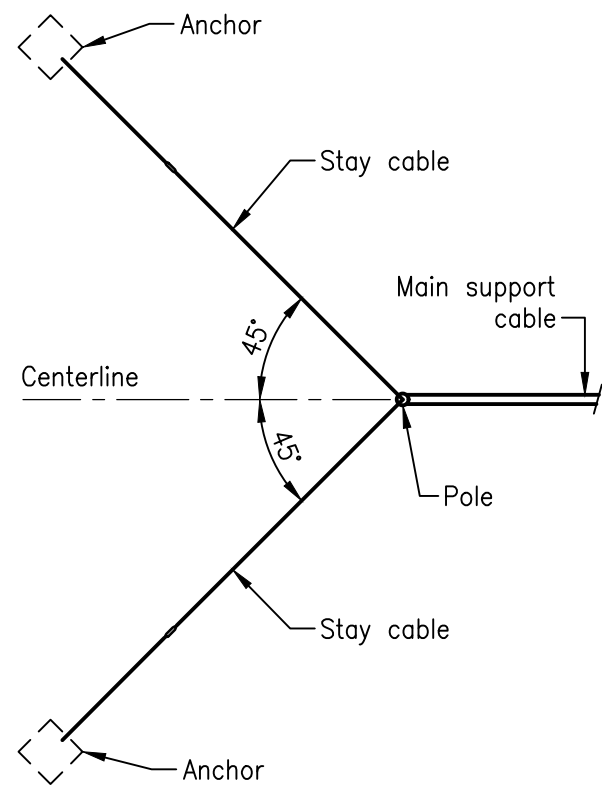


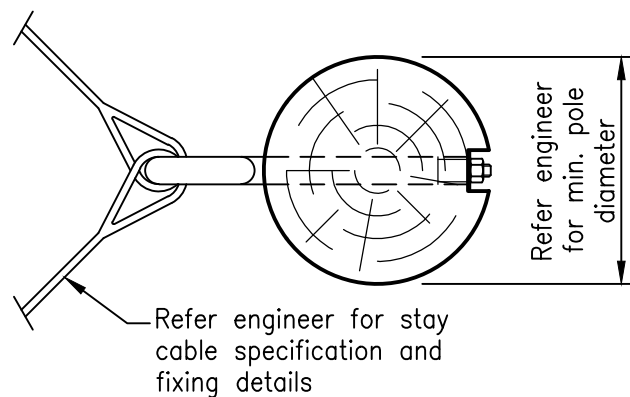
TYPICAL ELEVATION

Scale A

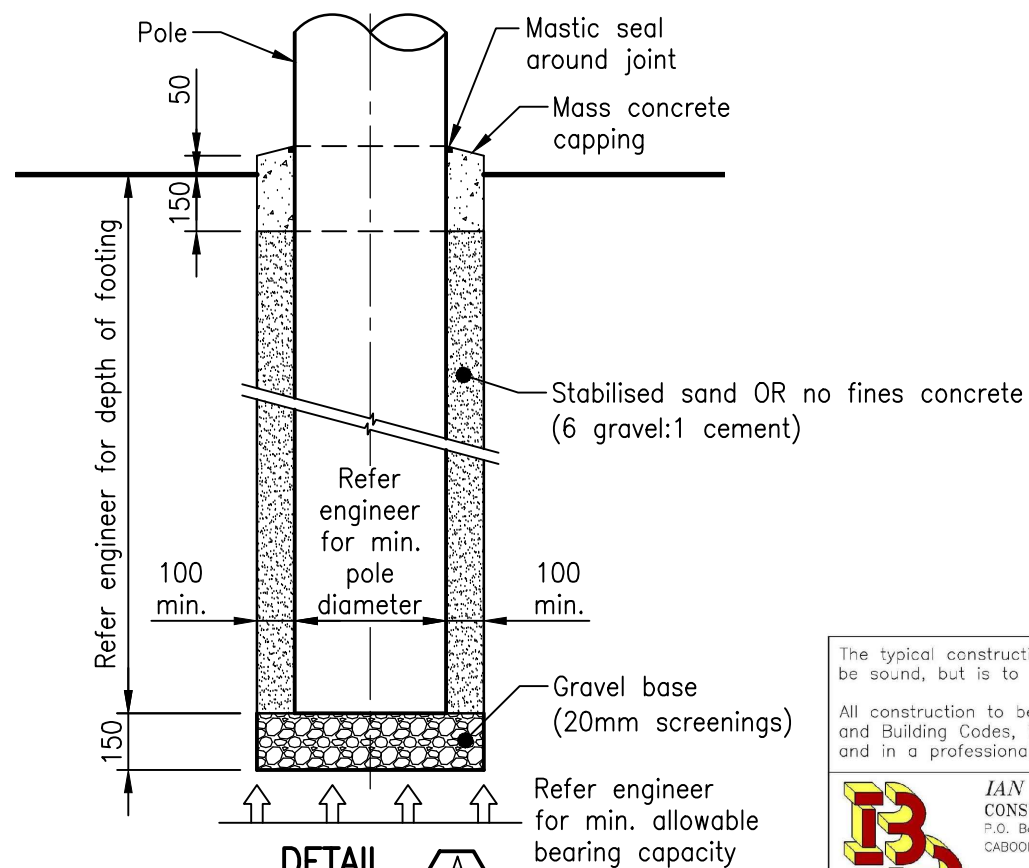


STAY CABLE ARRANGEMENT PLAN

Scale A



SECTION 1
Scale C



DETAIL A
Scale B

TYPICAL POLE FOUNDATION DETAIL

The typical construction on these drawings is considered to be sound, but is to be designed to suit site conditions.

All construction to be as per current Australian Standards and Building Codes, in accordance with MBRC requirements, and in a professional and tradesmanlike manner.

IAN BARNES & ASSOCIATES P/Ltd
CONSULTING ENGINEERS
P.O. Box 1378
CABOOLTURE 4510

ABN 70 057802490
Office : 07 5495 8444
Mobile : 0418 873 320

RPEQ 3333 Date : 13/09/2017

REVISIONS	INIT	DATE
E		
D		
C		
B	Approved by Structural Engineer	TC 7/17
A	Structural Design Note Changed	RH 12/16
X	ORIGINAL ISSUE	BW 07/16

SCALES
A 0mm 1000 2000 3000 4000 5000 1:250
B 0mm 100 200 300 400 1:20
C 0mm 50 100 150 200 1:10

Drawn	BW	Date	07/16
Coordinator	PP	Date	07/16
AUTHORISED			
SYD JERRAM 07/07/16			
Manager Integrated Transport Planning & Design RPEQ 6872			

**FAUNA CROSSING
ROPE CAGE AND ROPE LADDER
TYPICAL DETAILS - SHEET 2 OF 2**

Moreton Bay
Regional Council

DRG No. **GI-0561**

ORIGINAL SIZE A3	REVISION B
---------------------	---------------