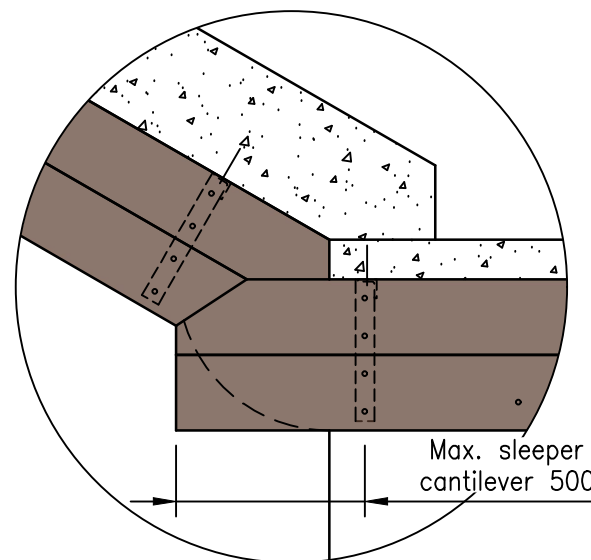


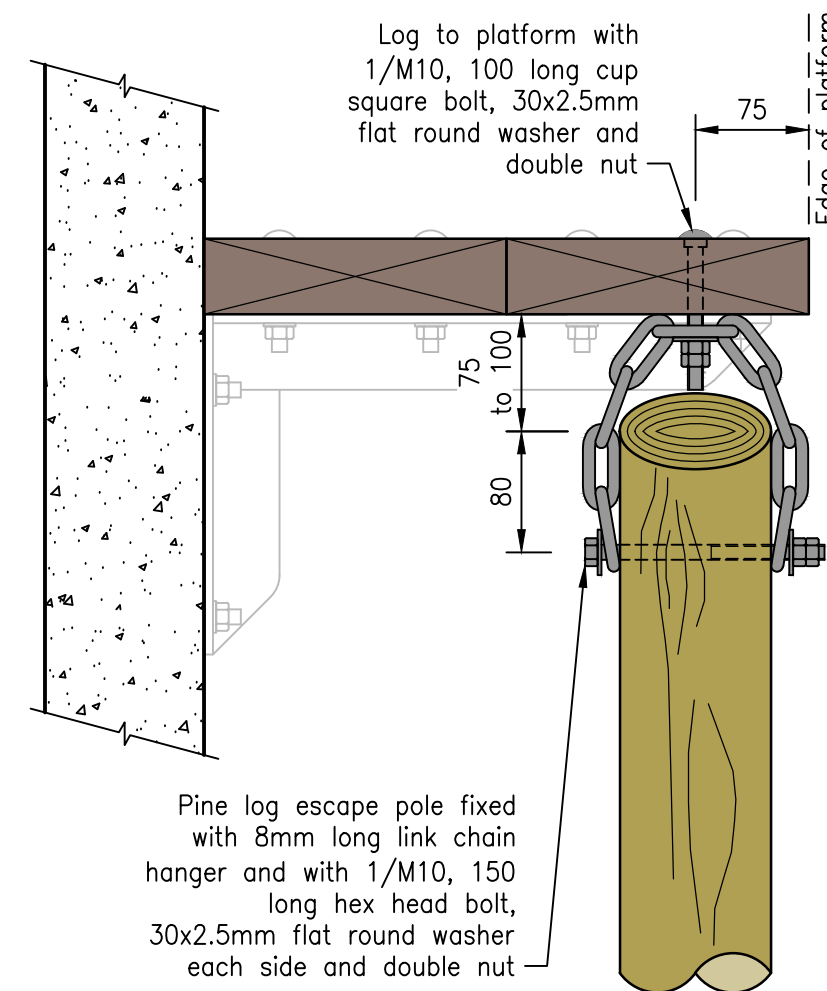
SECTION 3
Scale B



DETAIL B
Scale A



EXAMPLE PHOTO
Not to scale



SECTION 4
Scale B

The structural work shown on this drawing is considered to be structurally sound, and suitable for the design loads.

All construction to be as per current Australian Standards and Building Codes, in accordance with MBRC requirements, and in a professional and tradesmanlike manner

IAN BARNES & ASSOCIATES P/Ltd
CONSULTING ENGINEERS
P.O. Box 1378
CABOOLTURE 4510

ABN 70 057802490
Office : 07 5495 8444
Mobile : 0418 873 320

[Signature]
RPEQ 3333 Date : 13/09/2017

REVISIONS	INIT	DATE
E		
D		
C		
B	TC	7/17
A	TC	4/17
X	BW	01/2016

SCALES
A 0mm 100 200 300 400 1:20
B 0mm 25 50 75 100 1:5

Drawn	B.W	Date	07/16
Coordinator		Date	
AUTHORISED			
SYD JERRAM			
07/07/16			
Manager Integrated Transport Planning & Design			
RPEQ 6872			

FAUNA MOVEMENT SHELF
SHEET 2 OF 2



DRG No. **GI-0531**

ORIGINAL SIZE **A3**

REVISION **B**