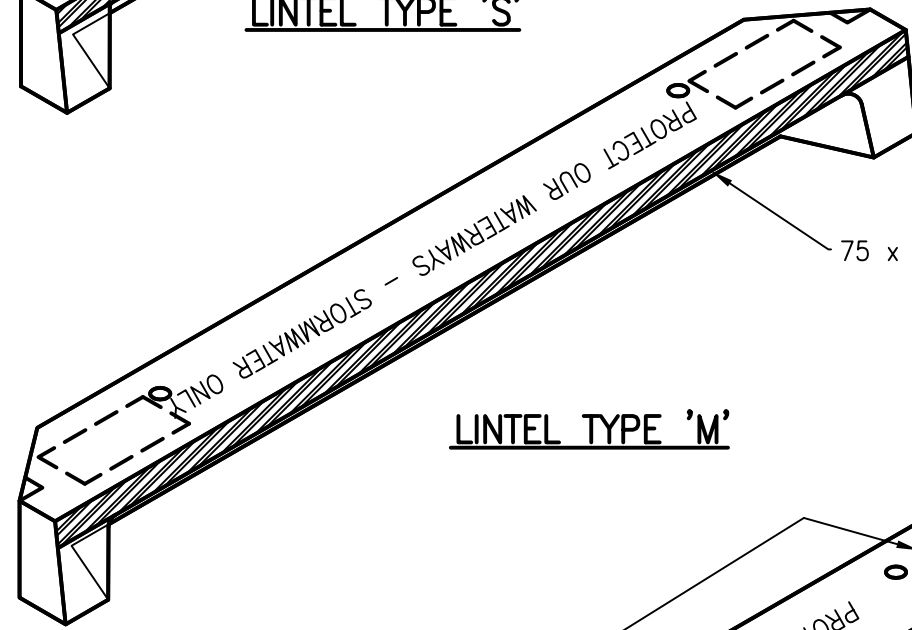
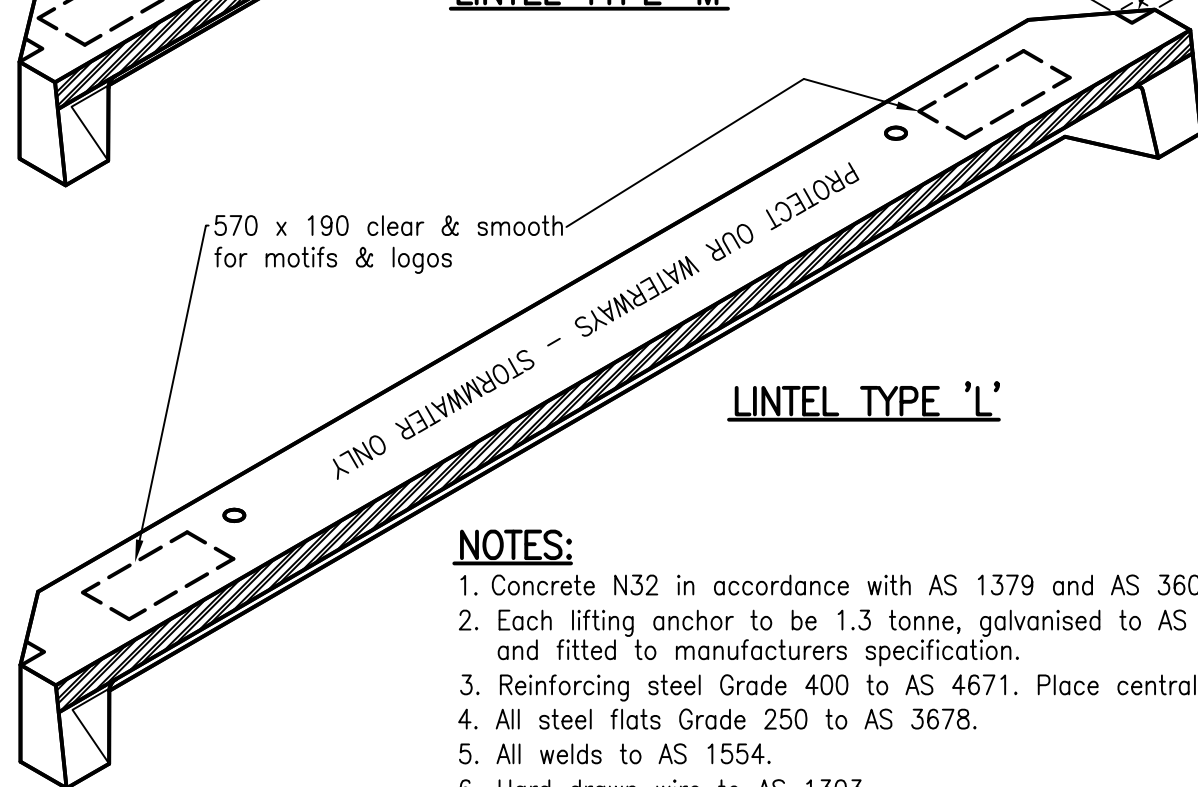


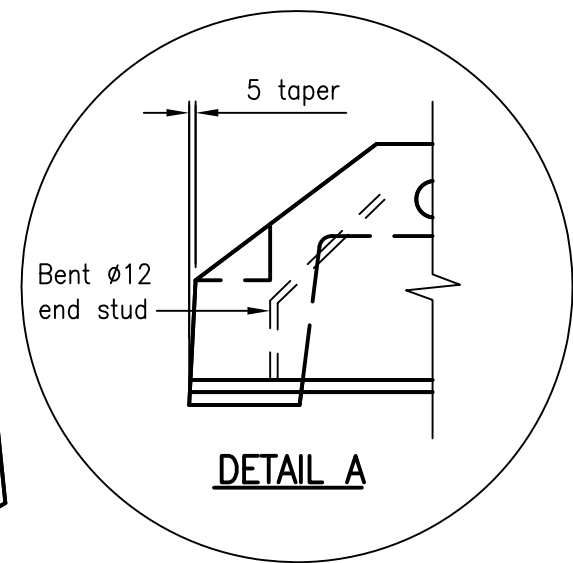
**LINTEL TYPE 'S'**



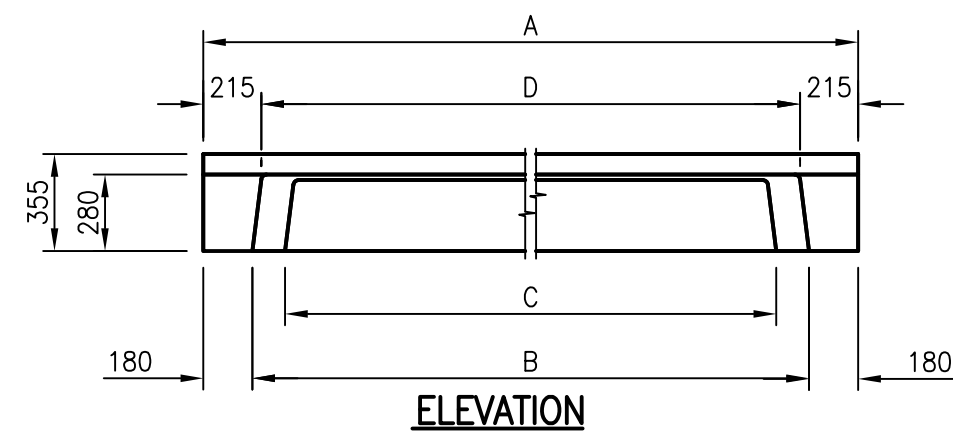
**LINTEL TYPE 'M'**



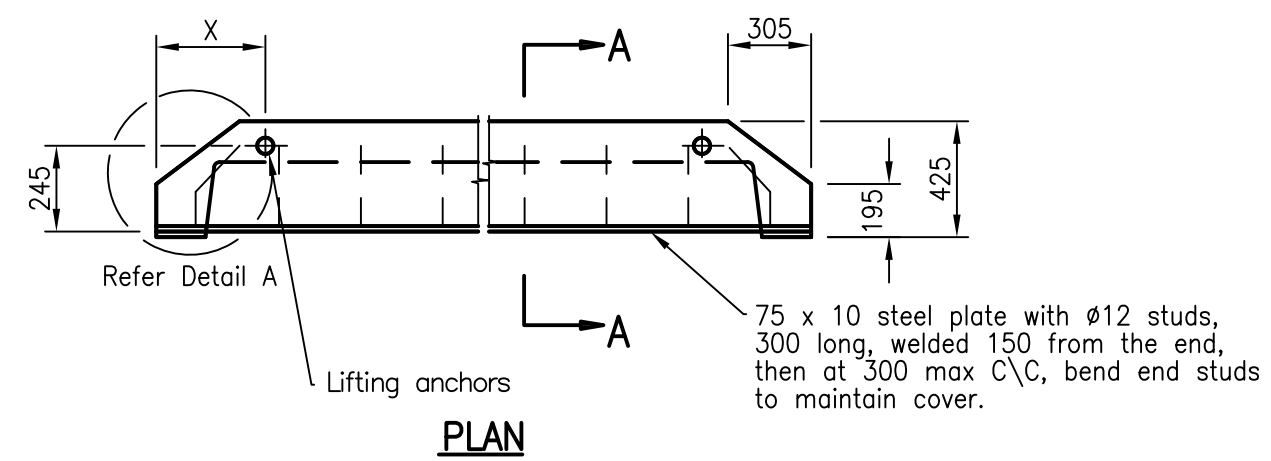
**LINTEL TYPE 'L'**



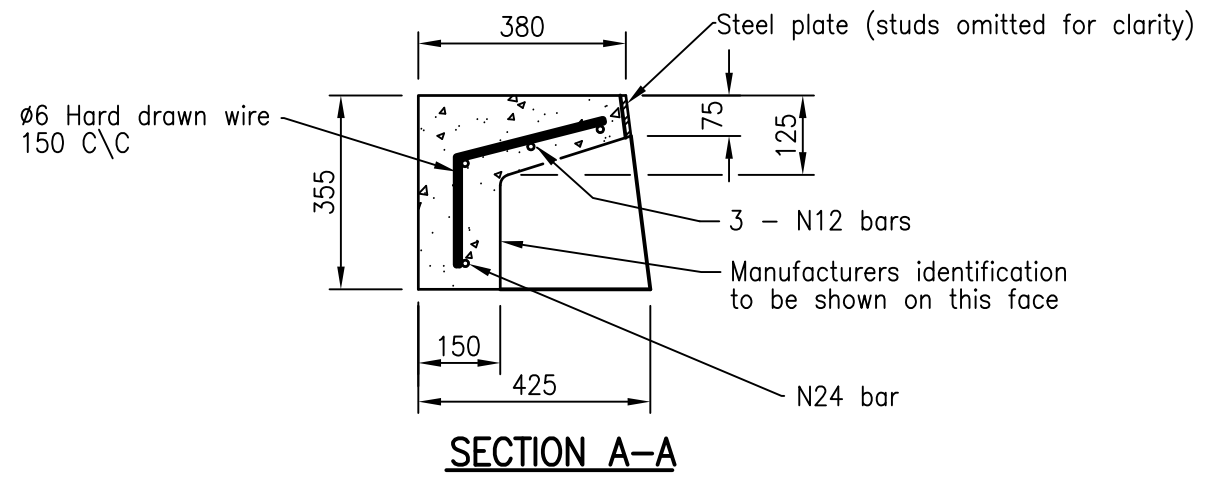
**DETAIL A**



**ELEVATION**



**PLAN**



**SECTION A-A**

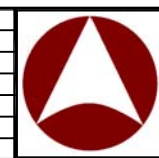
**NOTES:**

1. Concrete N32 in accordance with AS 1379 and AS 3600.
2. Each lifting anchor to be 1.3 tonne, galvanised to AS 4680 and fitted to manufacturers specification.
3. Reinforcing steel Grade 400 to AS 4671. Place centrally, 40 min end cover.
4. All steel flats Grade 250 to AS 3678.
5. All welds to AS 1554.
6. Hard drawn wire to AS 1303.
7. Steel plate hot dip galvanised after fabrication to AS 4680.
8. Lintel text 40mm high letters imprinted 5mm into concrete. Words face footpath.
9. All dimensions are in millimetres unless shown otherwise.

LINTEL	A	B	C	D	X	MASS (kg)
S	2400	2040	1800	1970	400	445
M	3600	3240	3000	3170	690	550
L	4800	4440	4200	4370	1000	725

These drawings have been developed in consultation between the participating Councils. BEFORE USE, the user shall confirm that the drawing has been adopted by the appropriate Council.

B	03/14	Amended Drawing Number
A	10/12	ORIGINAL ISSUE
Rv.	DATE	REVISIONS



**INSTITUTE OF PUBLIC WORKS ENGINEERING AUSTRALIA**  
**QUEENSLAND DIVISION INC.**  
**STANDARD DRAWINGS**

**DRAINAGE PITS**  
**KERB INLET**  
**PRECAST LINTEL DETAILS**

**DS-061**

B
A
Rv.